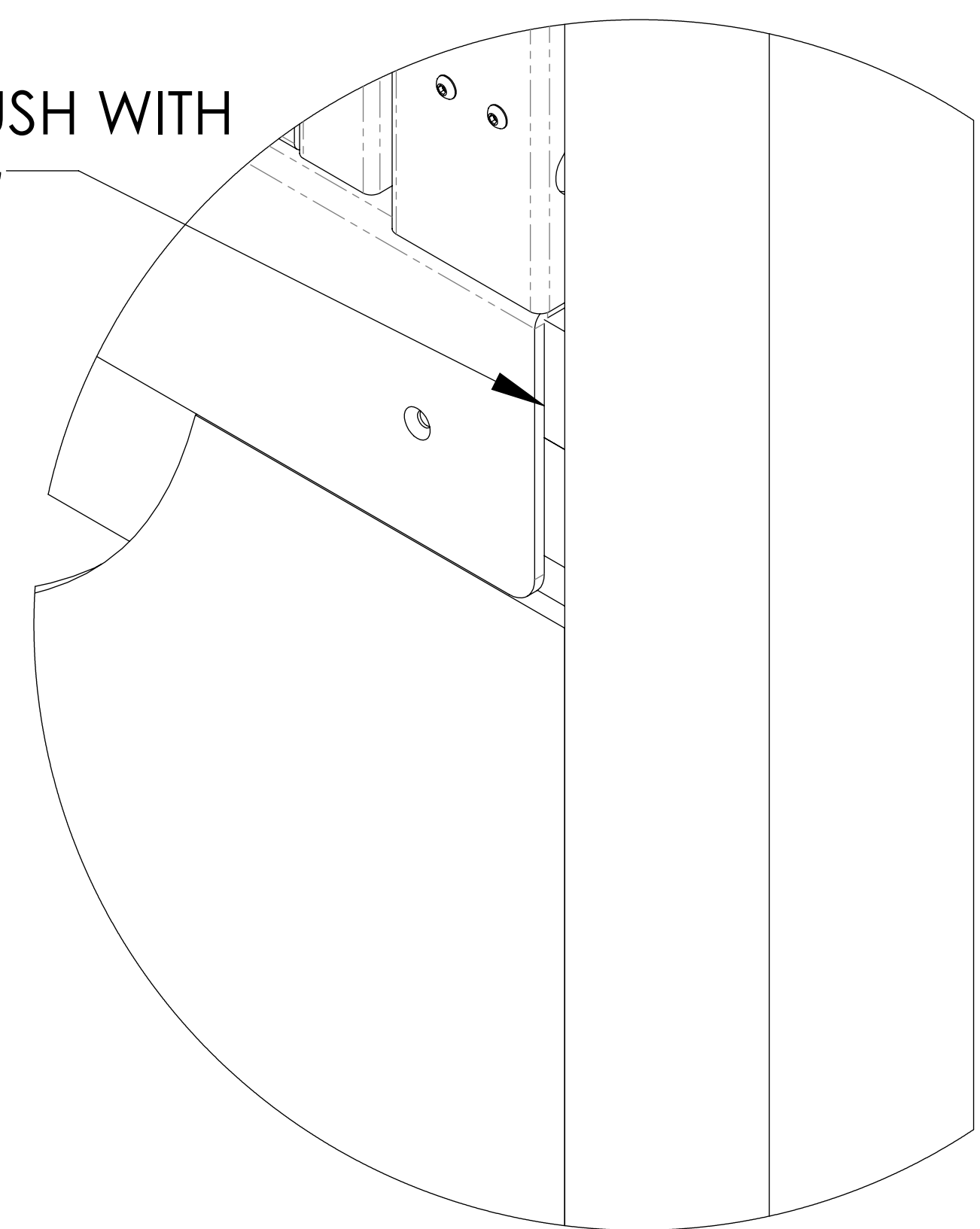


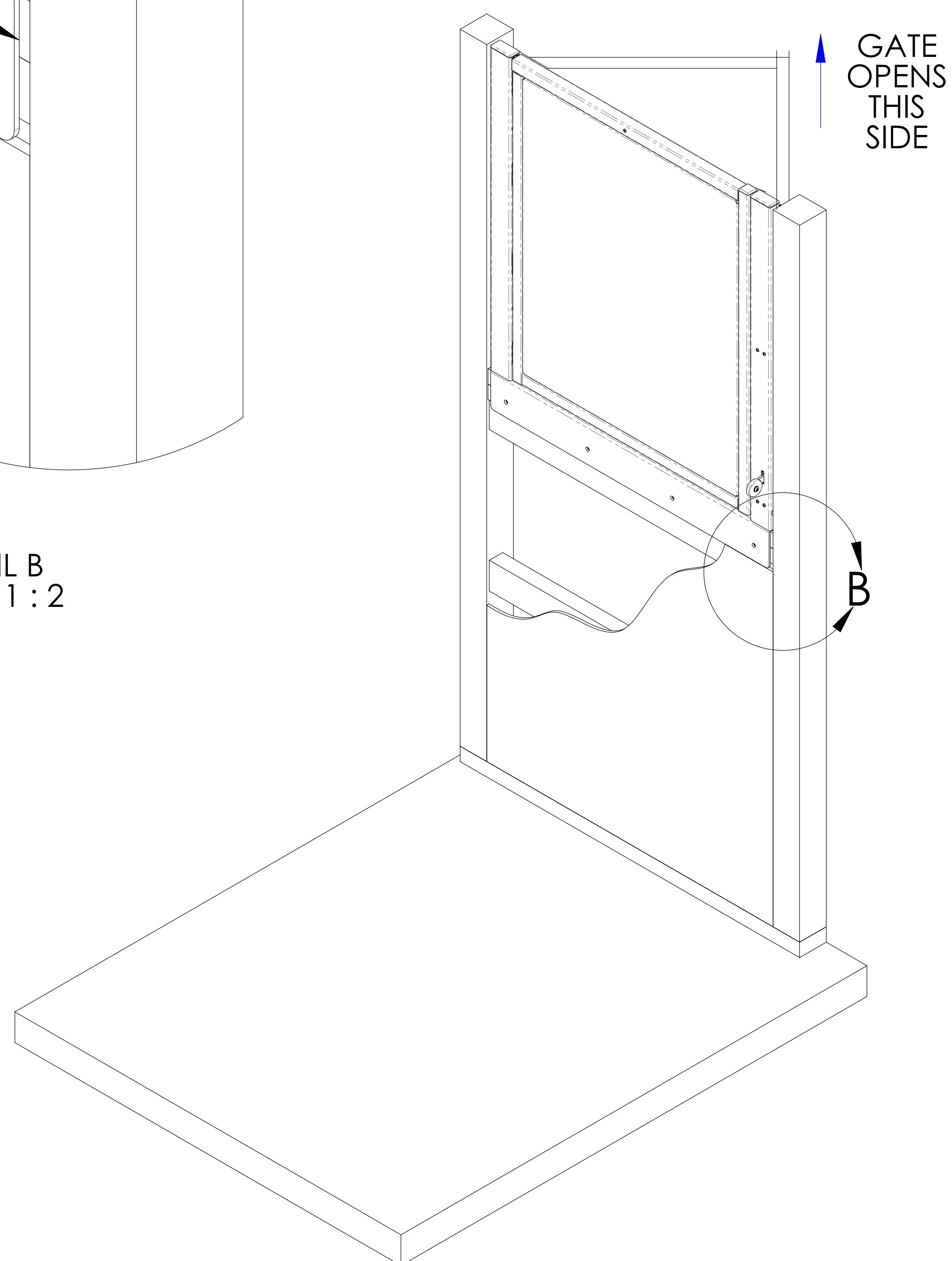
# GATE INSTALLATION FRAMING

**LEFT HAND GATE INSTALLATION SHOWN**

GATE SILL FLANGE SHOULD BE PLACED FLUSH WITH UNDERNEATH FRAMING



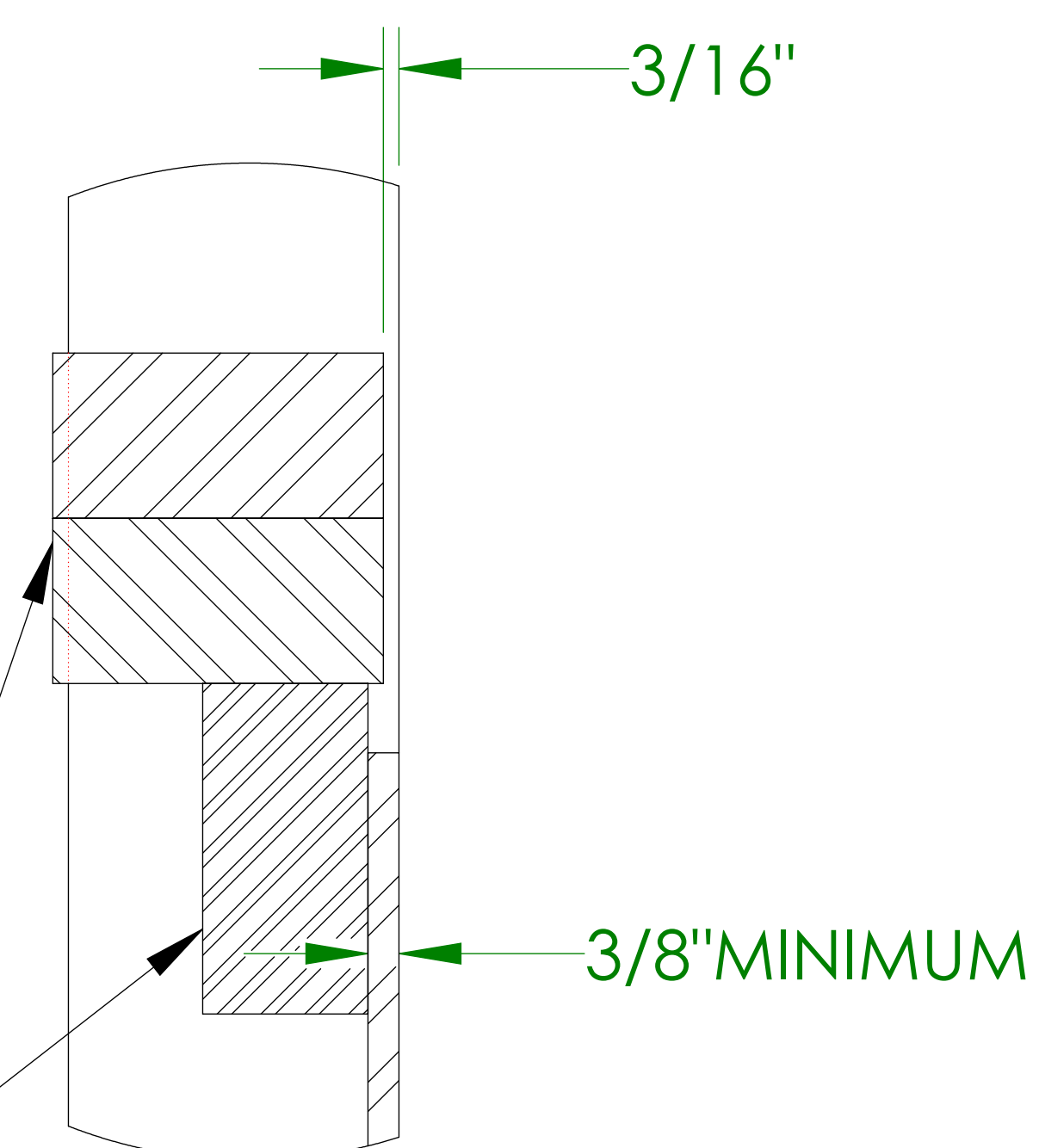
DETAIL B  
SCALE 1 : 2



GATE OPENS THIS SIDE

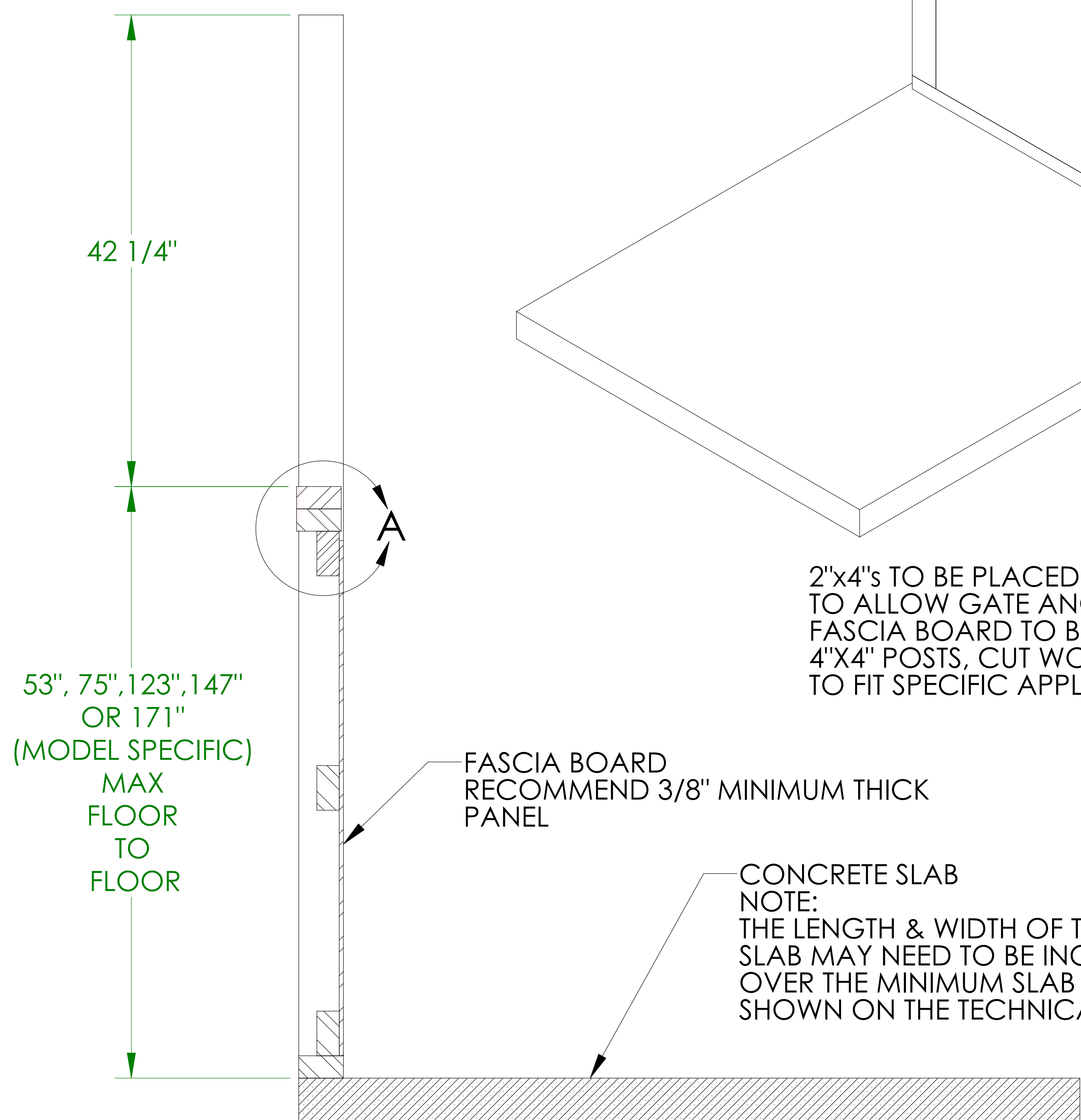
DETAIL B  
SCALE 1 : 2

2"x4"s TO BE PLACED BACK TO ALLOW GATE ANGLE AND FASCIA BOARD TO BE FLUSH WITH 4"X4" POSTS, CUT WOOD AS NEEDED TO FIT SPECIFIC APPLICATION.

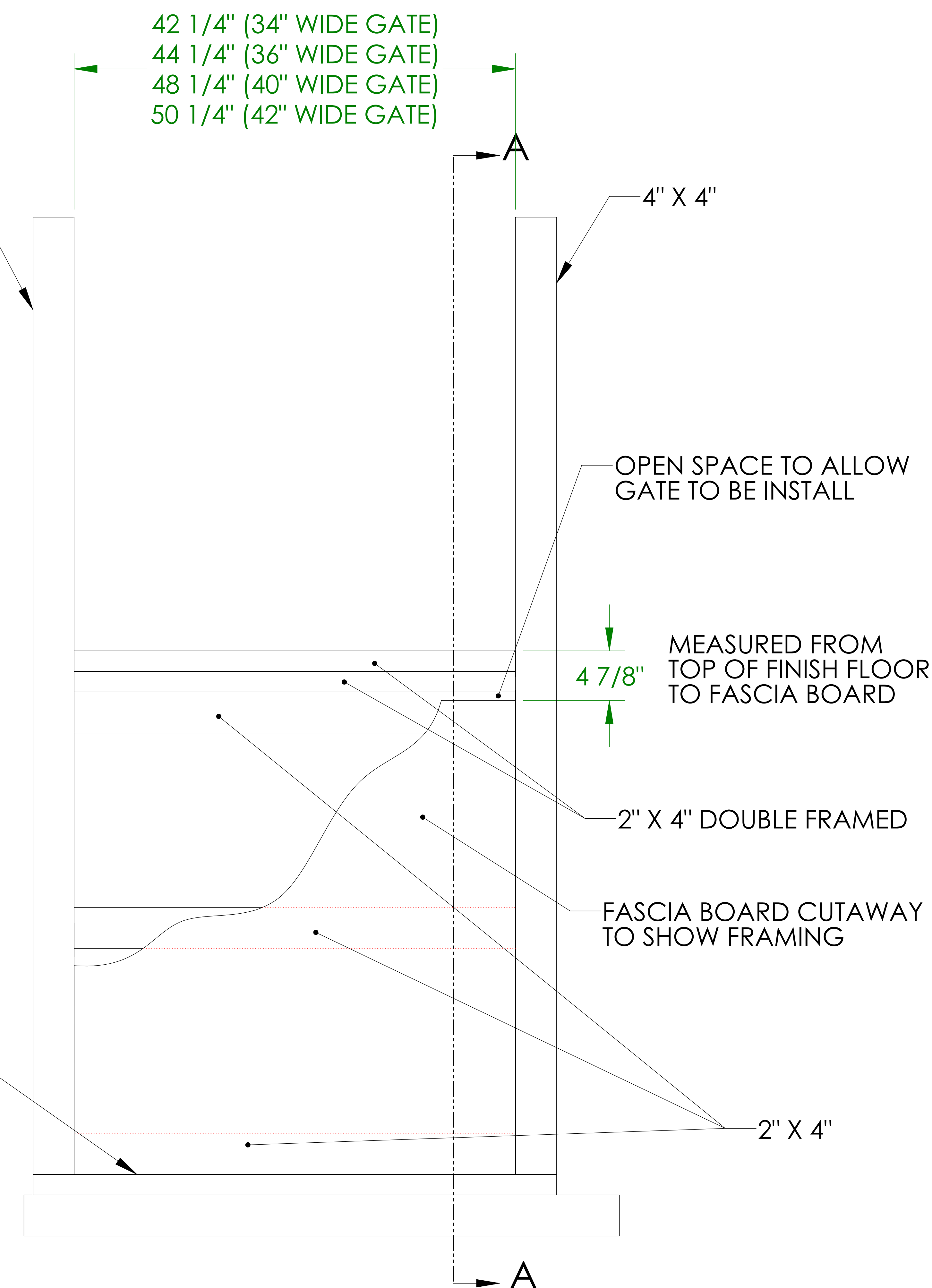


DETAIL A  
SCALE 1 : 2

2" X 4" TO BE ANCHORED TO CONCRETE SLAB

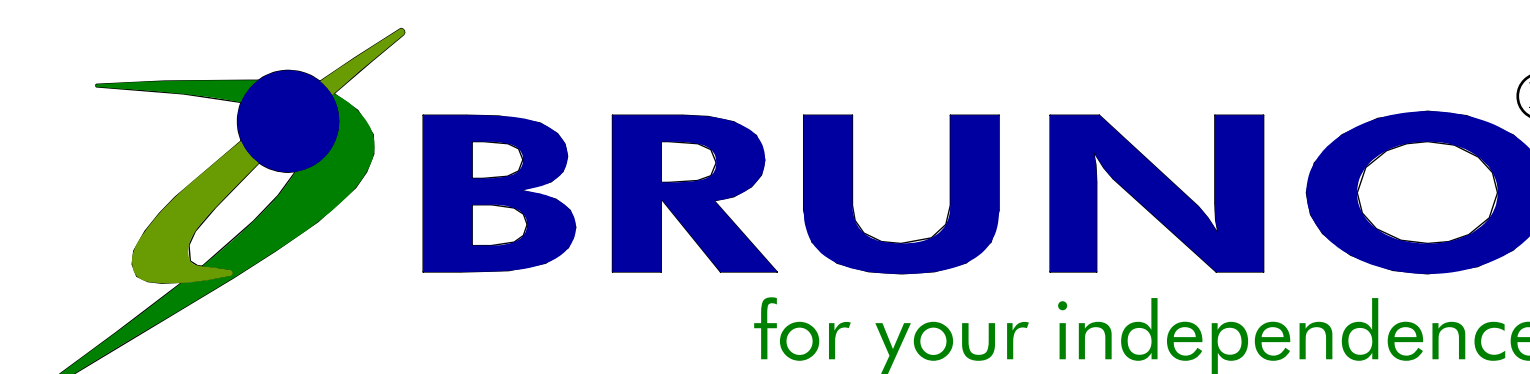


- 42 1/4" (34" WIDE GATE)
- 44 1/4" (36" WIDE GATE)
- 48 1/4" (40" WIDE GATE)
- 50 1/4" (42" WIDE GATE)



**NOTE: ALL FRAMING MUST BE CAPABLE OF WITHSTANDING A 200 LBS CONCENTRATED LOAD IN ALL DIRECTIONS. REFER TO THE TECHNICAL DRAWINGS FOR ADDITIONAL INSTALLATION DIMENSIONS.**

**ILS-00804**  
**SHEET 1 OF 1**  
**REV. 3 (6642)(9/4/18)(BG)**



©Bruno Independent Living Aids, Inc.