

ENCLOSURE 90 ADJACENT PLATFORM (NO PIT)

VPL-3310B/VPL-3312B/VPL-3314B VERTICAL PLATFORM LIFT

TECHNICAL DATA/SPECIFICATIONS *

| | |
|---------------------------|--|
| RATED LOAD: | 750 lbs maximum. |
| INPUT POWER SOURCE: | |
| -DC BATTERY POWERED UNIT: | 110-120 Volt 3 Amp 60 Hz battery charger. |
| DRIVE: | |
| -DC BATTERY POWERED UNIT: | 1 hp motor, 1750 rpm, 24 VDC, continuous duty. |
| INTERMEDIATE REDUCTION: | Dual 4L style Poly-V belts and pulleys, 3.94:1 pulley reduction. |
| FINAL DRIVE: | 1-1/4" dia. ACME screw w/bronze nut and bronze safety back up nut. |
| MOTOR CONTROLLER: | |
| -DC BATTERY POWERED UNIT: | 24 VDC Relay control. |
| SPEED: | |
| -DC BATTERY POWERED UNIT: | 10 feet per minute maximum |

PERFORMANCE STANDARDS

USA FOOD & DRUG ADMINISTRATION: CLASS II, 510(K) Exempt, File No. 890.3930,
Product Code: PCE
ASME A18.1 (Section 2) Safety Standards for Platform Lifts and Stairway Chairlifts *
CSA B355 Lifts for Persons with Physical Disabilities *
CSA B44.1/ASME A17.5 Elevator and Escalator Electrical Equipment *

* For complete technical specifications and performance standards years of compliance please see:
ILS-01100 "VPL-3300B Series Commercial Vertical Platform Lift Technical Specification"



ILS-01318
SHEET 1 OF 3
REV. 2 (6816)(12/10/18)(BG)

Bruno Independent Living Aids, Inc., 1780 Executive Drive, Oconomowoc, WI 53066
Phone (800) 882-8183 Fax (262) 953-5501

Any reproduction or other use of these materials without written permission of Bruno Independent Living Aids, Inc. is expressly prohibited.
Bruno Independent Living Aids, Inc. reserves the right to modify or make changes to these specifications at any time with out notice.

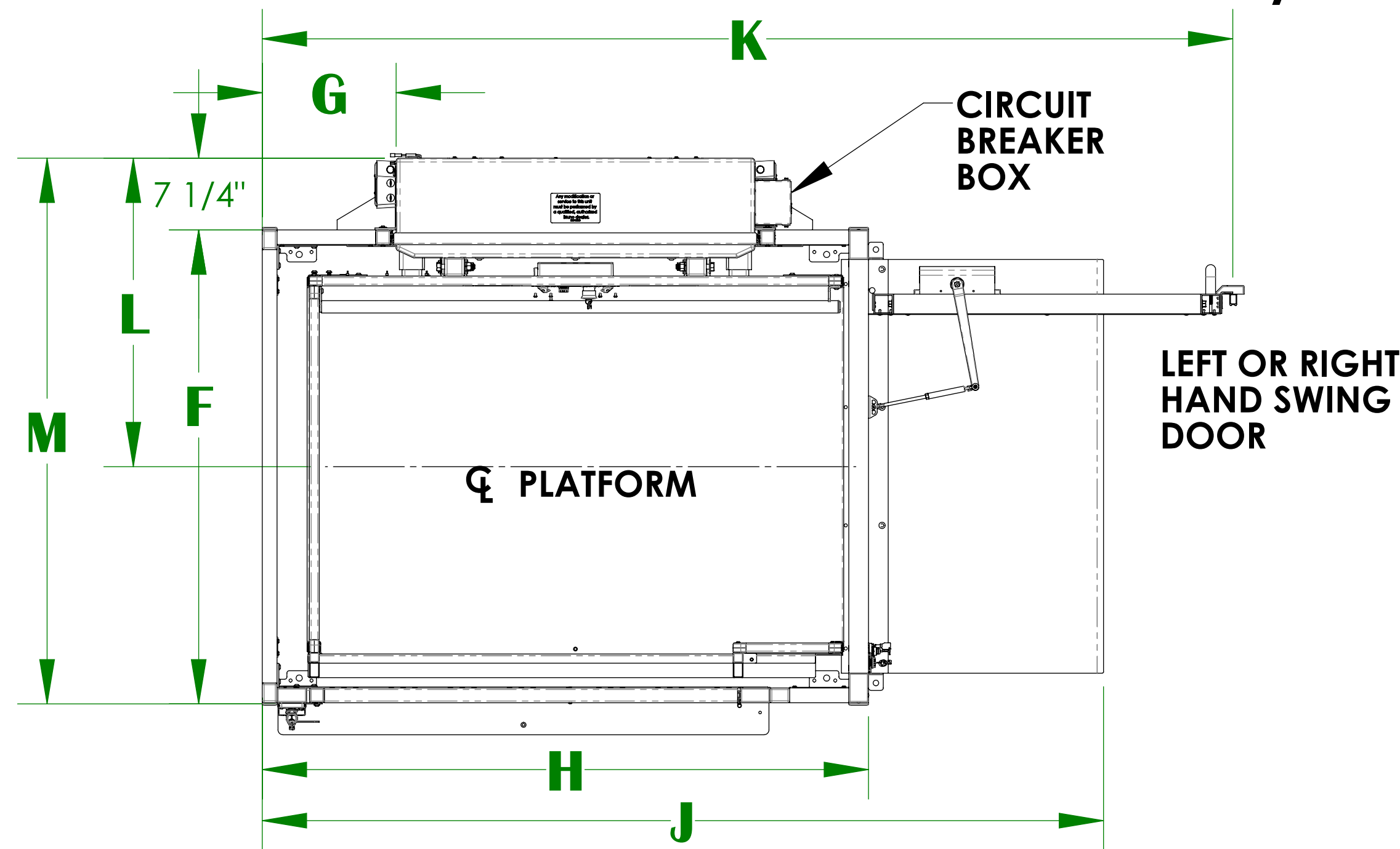
 **BRUNO**
for your independence

©Bruno Independent Living Aids, Inc.

ENCLOSURE 90 ADJACENT PLATFORM (NO PIT)

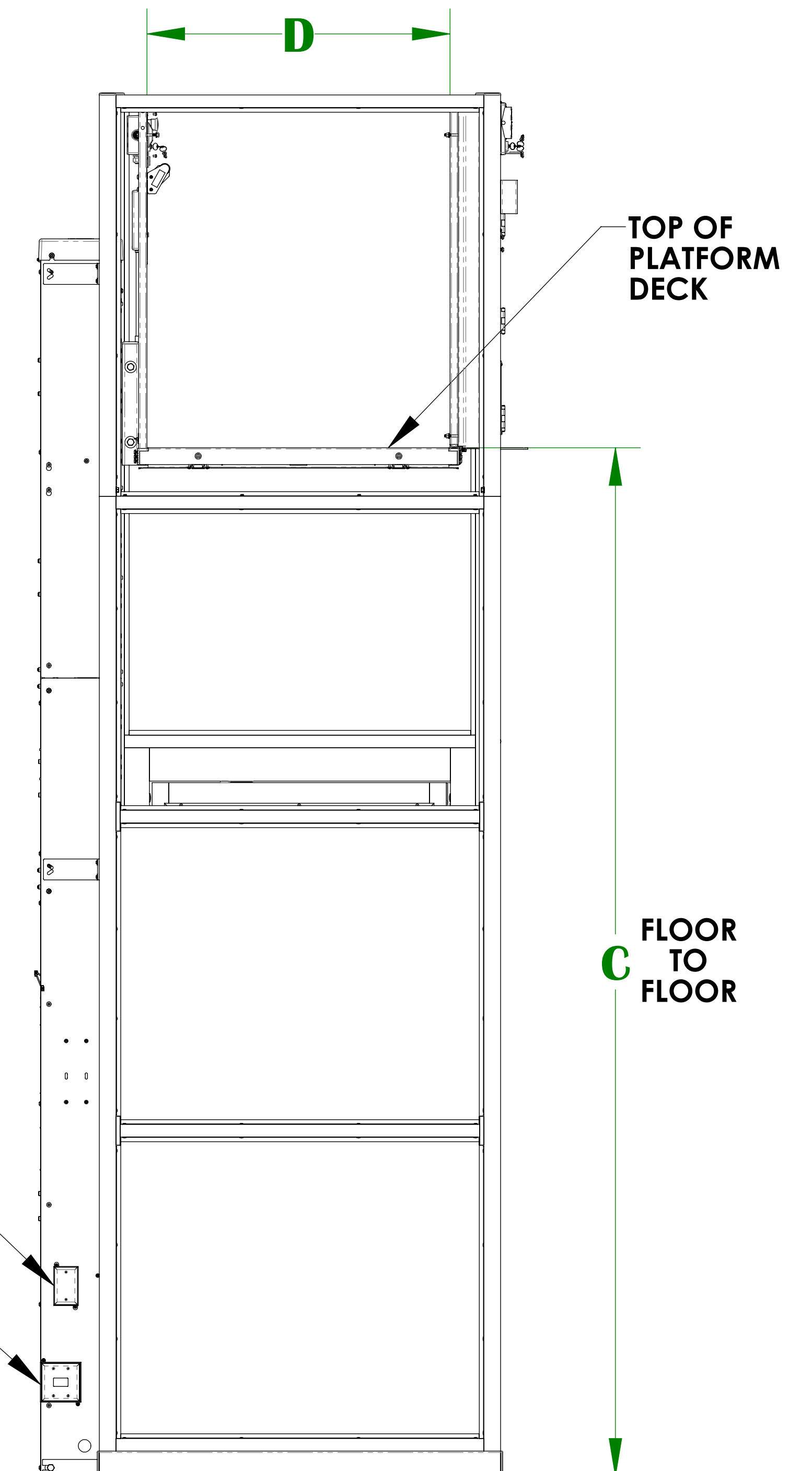
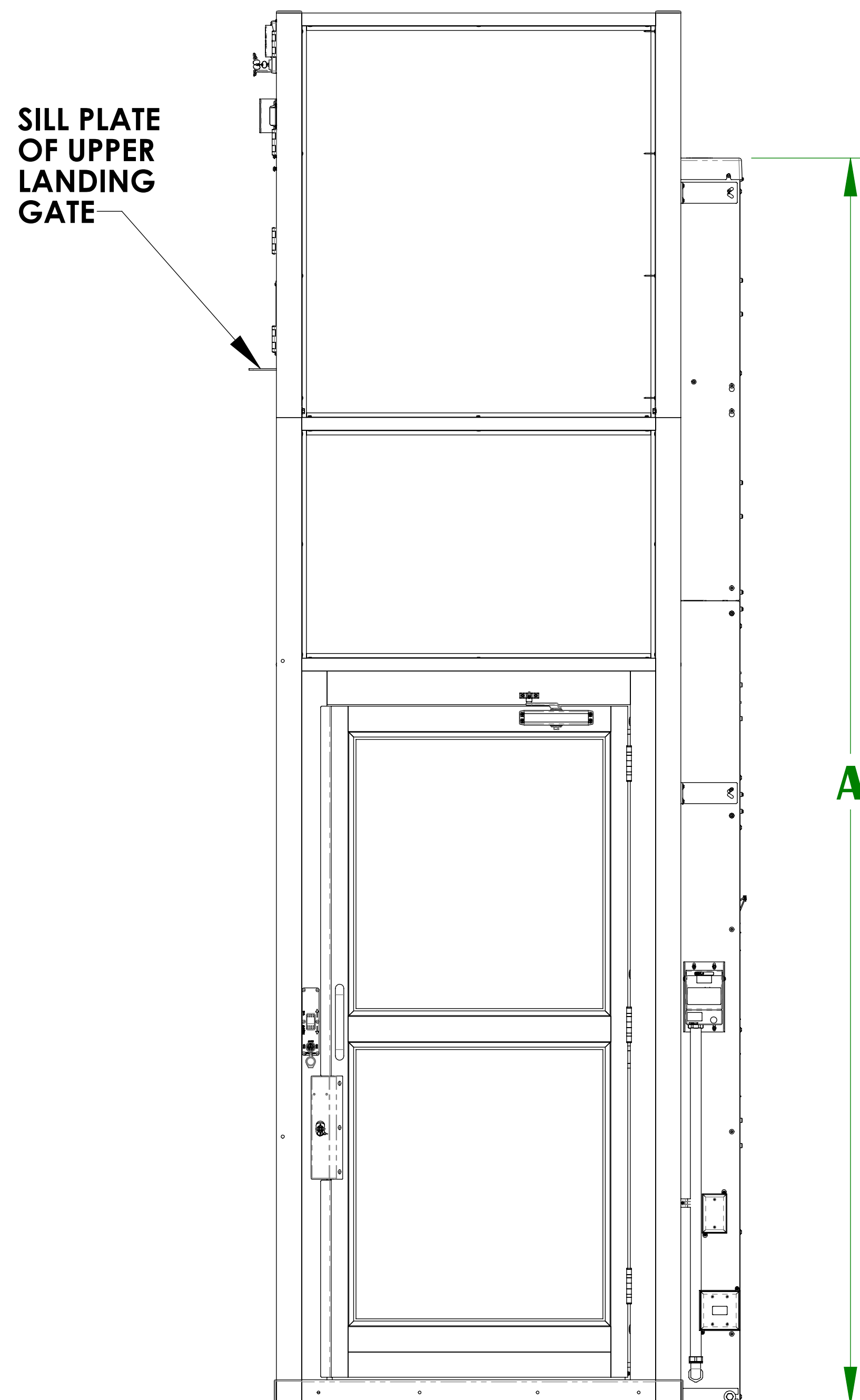
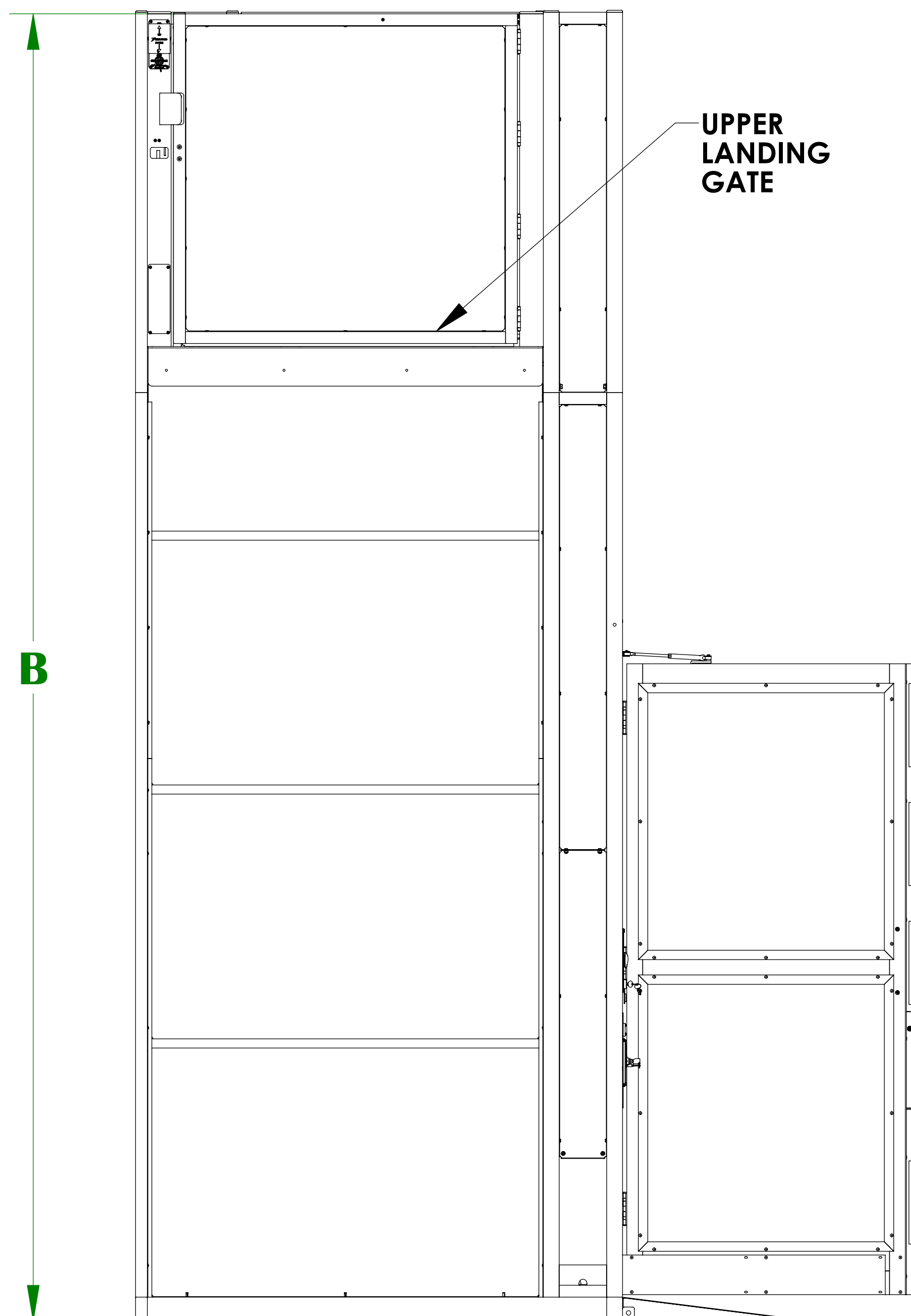
VPL-3310B/VPL-3312B/VPL-3314B VERTICAL PLATFORM LIFT

For complete technical specifications please see
 ILS-01100 "VPL-3300B Series Commercial Vertical Platform Lift Technical Specification"



| | D | F | G | H | J | K [△] | L | M |
|--------------------|---------|-----|-----------|---------|---------|----------------|----------|---------|
| 36" X 48" PLATFORM | 36-1/4" | 48" | 10-11/16" | 55-1/2" | 79-3/8" | 93-5/8" | 31-9/16" | 55-1/4" |
| 36" X 54" PLATFORM | 36-1/4" | 48" | 13-11/16" | 61-1/2" | 85-3/8" | 99-5/8" | 31-9/16" | 55-1/4" |
| 36" X 60" PLATFORM | 36-1/4" | 48" | 16-11/16" | 67-1/2" | 91-3/8" | 105-5/8" | 31-9/16" | 55-1/4" |
| 42" X 60" PLATFORM | 42-1/4" | 54" | 16-11/16" | 67-1/2" | 91-3/8" | 114-5/8" | 34-9/16" | 61-1/4" |

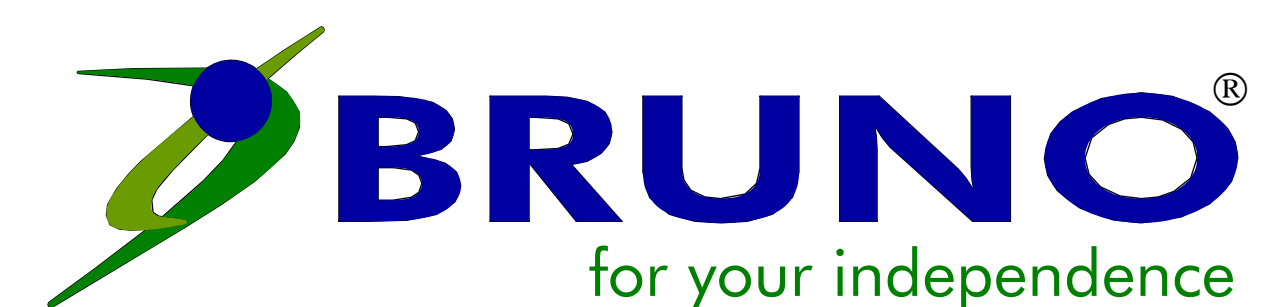
| MODEL | A | B | C MIN | C MAX |
|-----------|-----------|------|-------|-------|
| VPL-3310B | 148-1/16" | 165" | 75" | 123" |
| VPL-3312B | 172-1/16" | 189" | 75" | 147" |
| VPL-3314B | 196-1/16" | 213" | 75" | 171" |



ILS-01318
SHEET 2 OF 3
REV. 2 (6816)(12/10/18)(BG)

Bruno Independent Living Aids, Inc., 1780 Executive Drive, Oconomowoc, WI 53066
 Phone (800) 882-8183 Fax (262) 953-5501

Any reproduction or other use of these materials without written permission of Bruno Independent Living Aids, Inc. is expressly prohibited.
 Bruno Independent Living Aids, Inc. reserves the right to modify or make changes to these specifications at any time with out notice.



©Bruno Independent Living Aids, Inc.

ENCLOSURE 90 ADJACENT PLATFORM (NO PIT)

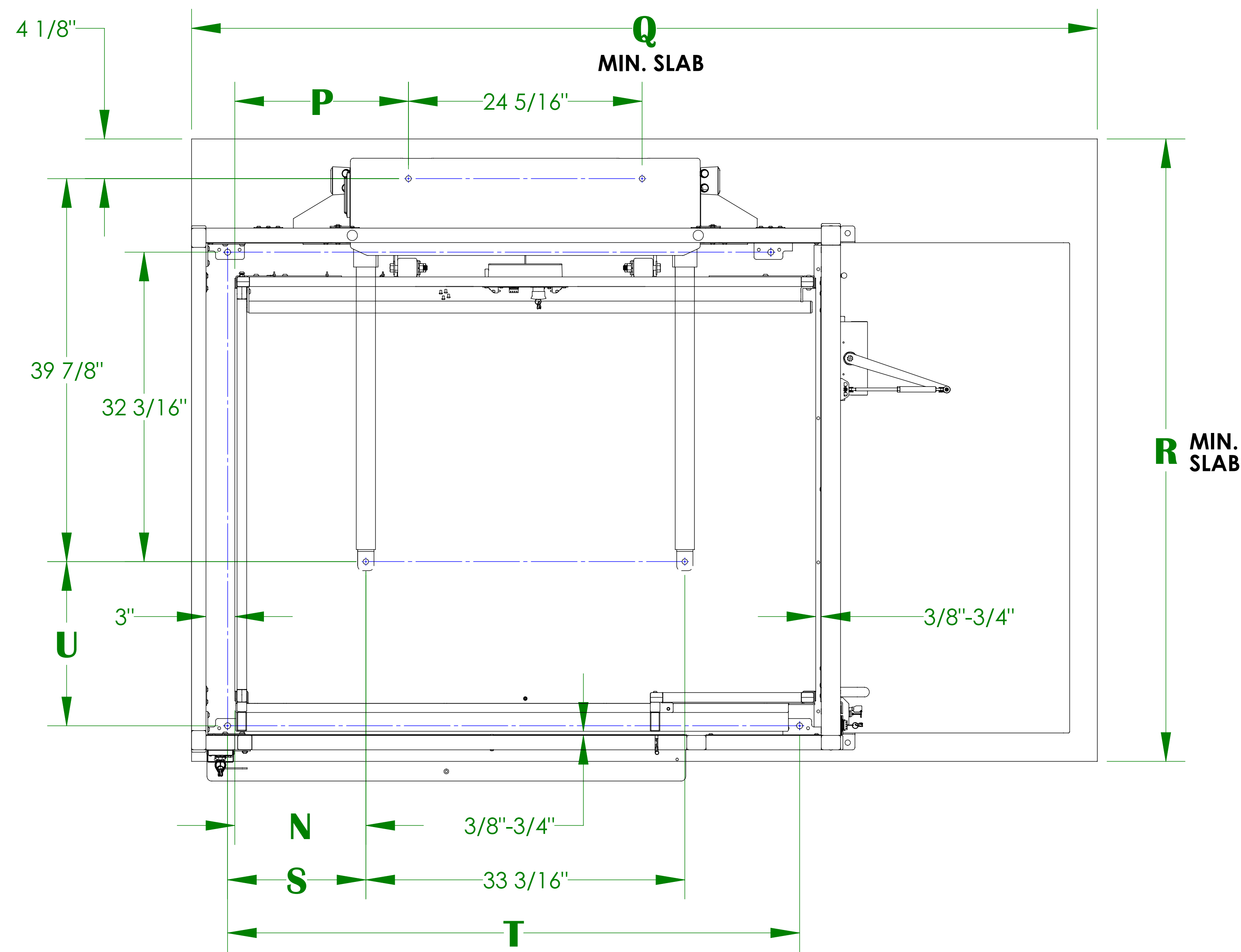
VPL-3310B/VPL-3312B/VPL-3314B VERTICAL PLATFORM LIFT ANCHOR POINT LOCATIONS/SLAB DETAIL

TECHNICAL SPECIFICATIONS *

FLOOR ATTACHMENT:
VPL MUST BE FASTENED TO CONCRETE SLAB USING FOUR (4) 1/2" (3/8" BOLT)
X MINIMUM 2-1/2" LONG CONCRETE ANCHORS SUITABLE FOR THE ENVIRONMENT.
FOLLOW SELECTED CONCRETE ANCHOR MANUFACTURERS GUIDELINES AND
APPLICABLE CODES.

FLOOR REQUIREMENTS:
4" THICK 3500 PSI MINIMUM COMPRESSIVE STRENGTH, REINFORCED CONCRETE SLAB.

* For complete technical specifications please see
ILS-01100 "VPL-3300B Series Commercial Vertical Platform Lift Technical Specification"



| | N | P | Q | R | S | T | U |
|--------------------|---------|----------|-----|----------|---------|---------|-----------|
| 36" X 48" PLATFORM | 7-5/8" | 12-1/16" | 80" | 58-9/16" | 8-3/8" | 47-1/2" | 10-15/16" |
| 36" X 54" PLATFORM | 10-5/8" | 15-1/16" | 86" | 58-9/16" | 11-3/8" | 53-1/2" | 10-15/16" |
| 36" X 60" PLATFORM | 13-5/8" | 18-1/16" | 92" | 58-9/16" | 14-3/8" | 59-1/2" | 10-15/16" |
| 42" X 60" PLATFORM | 13-5/8" | 18-1/16" | 92" | 64-9/16" | 14-3/8" | 59-1/2" | 16-15/16" |

UNITS WITH (90) ADJACENT PLATFORM WITH ENCLOSURE