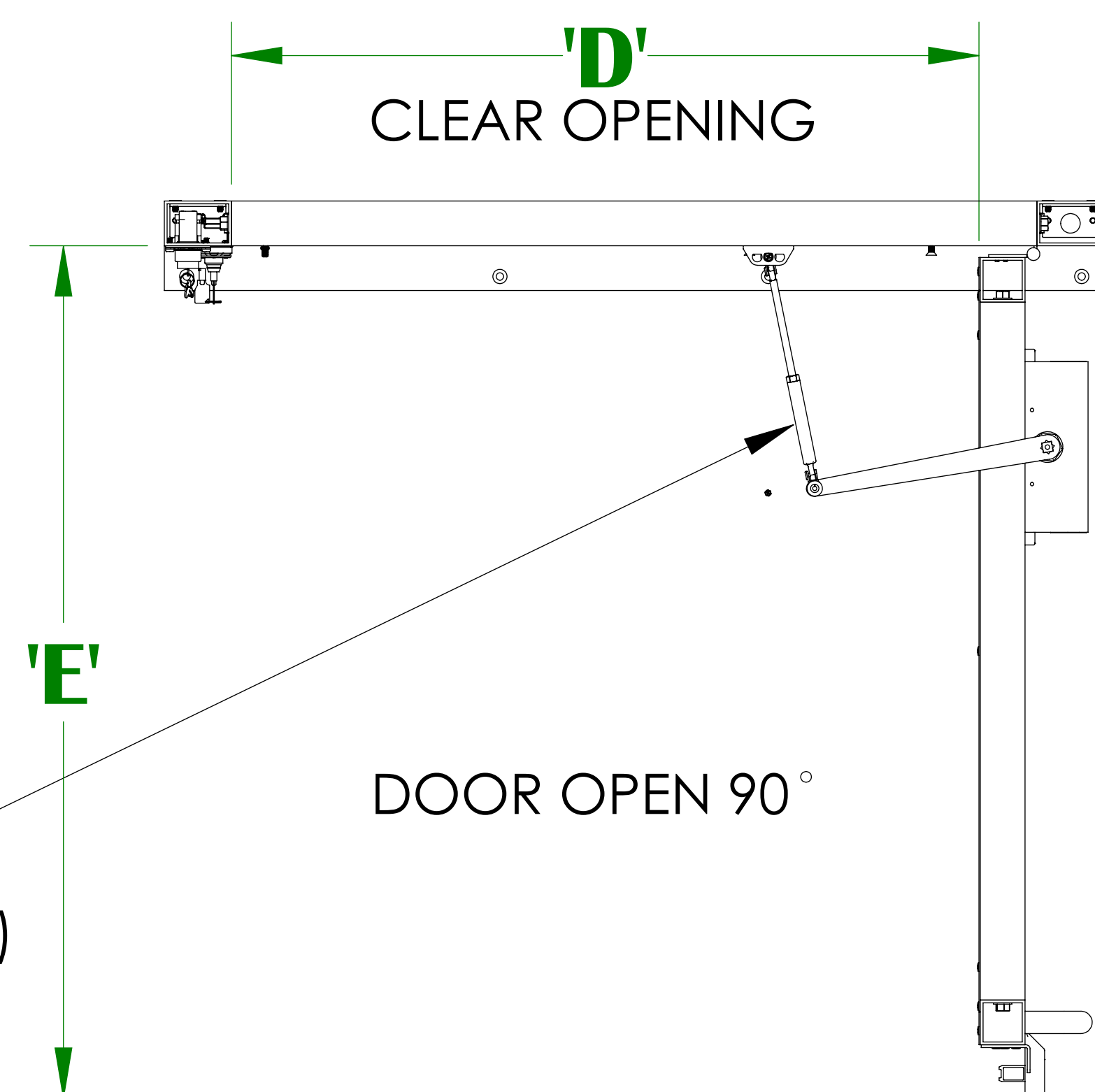


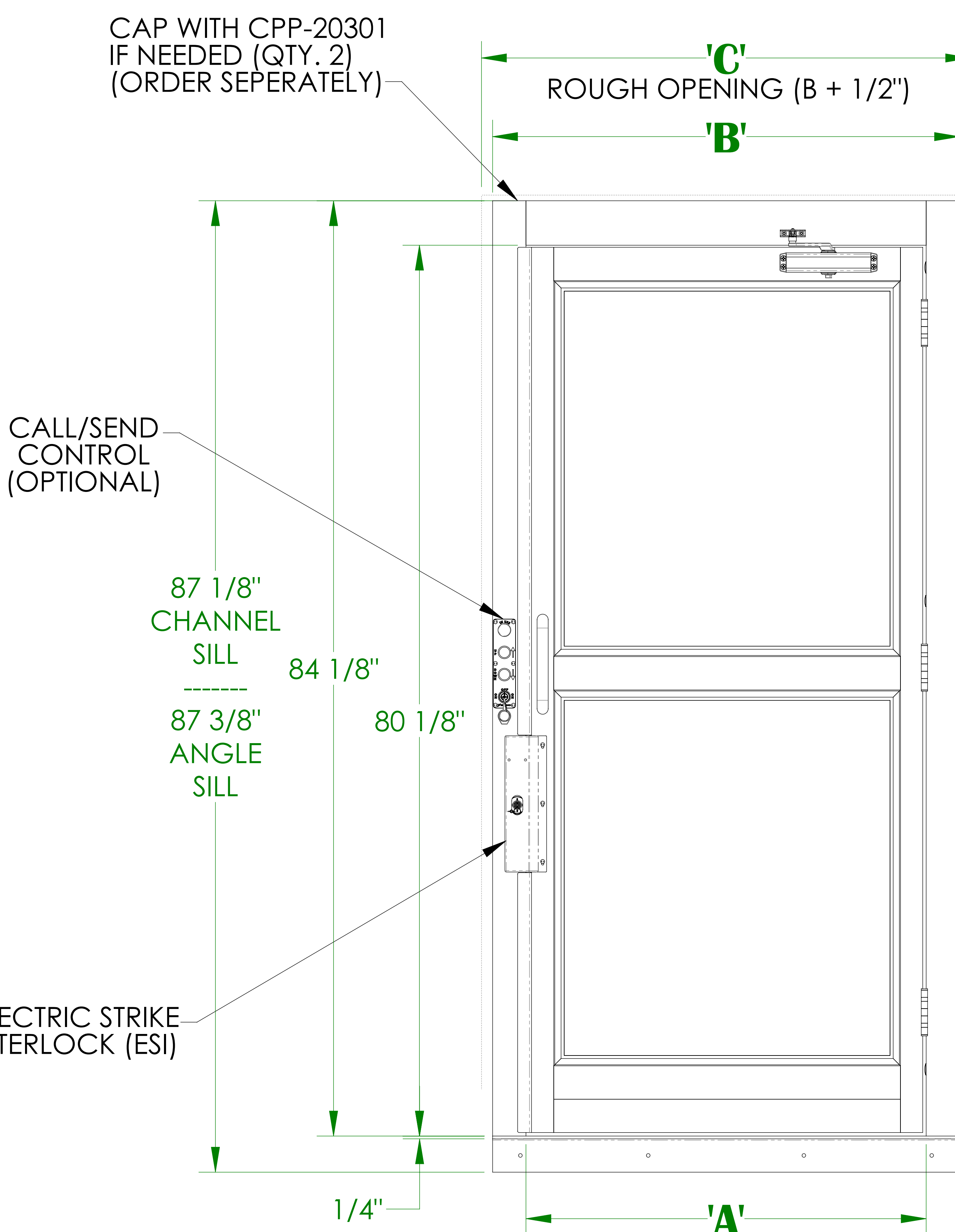
FLUSH MOUNT ALUMINUM DOOR DETAIL (LH SWING) BRUNO VERTICAL PLATFORM LIFT



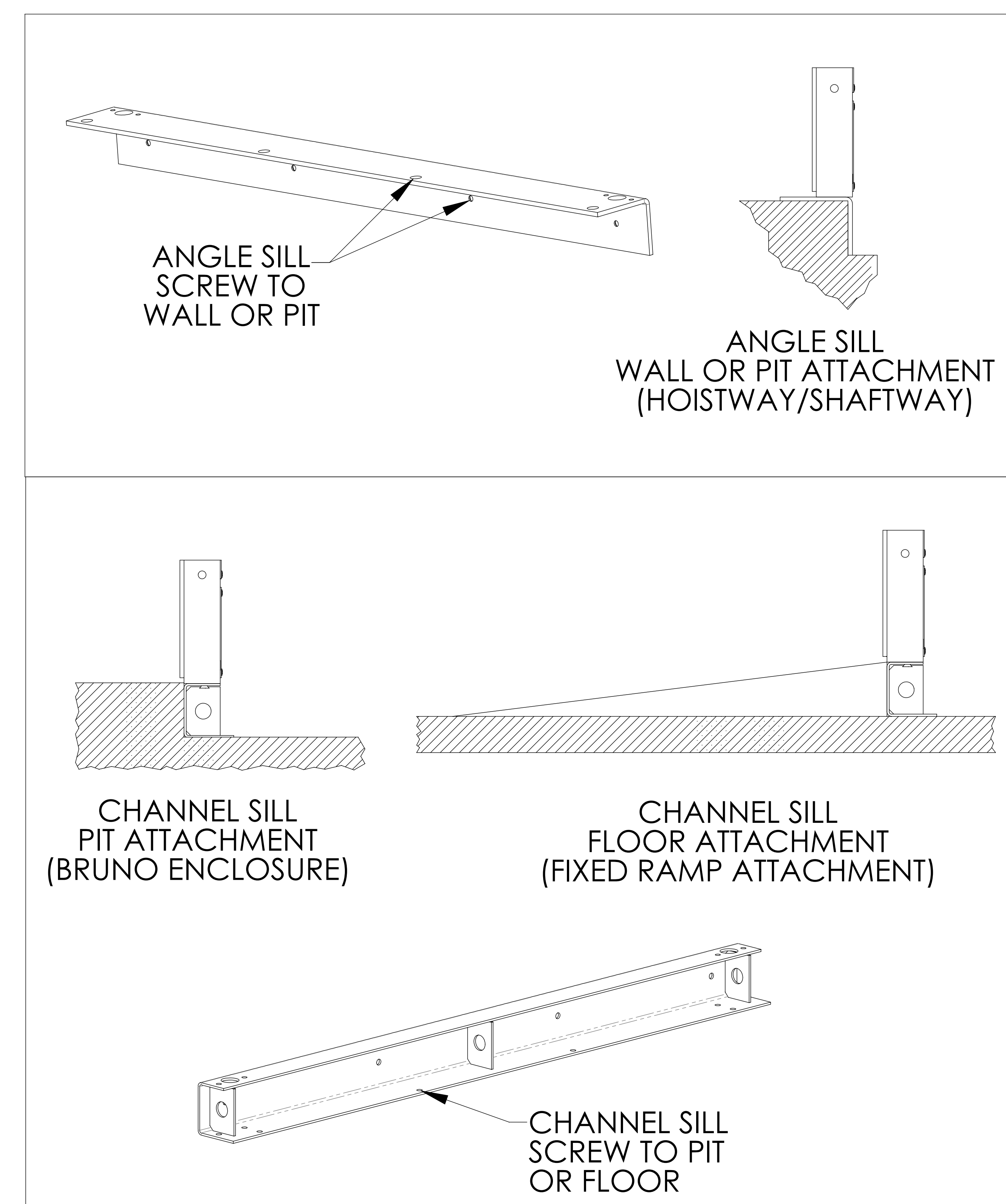
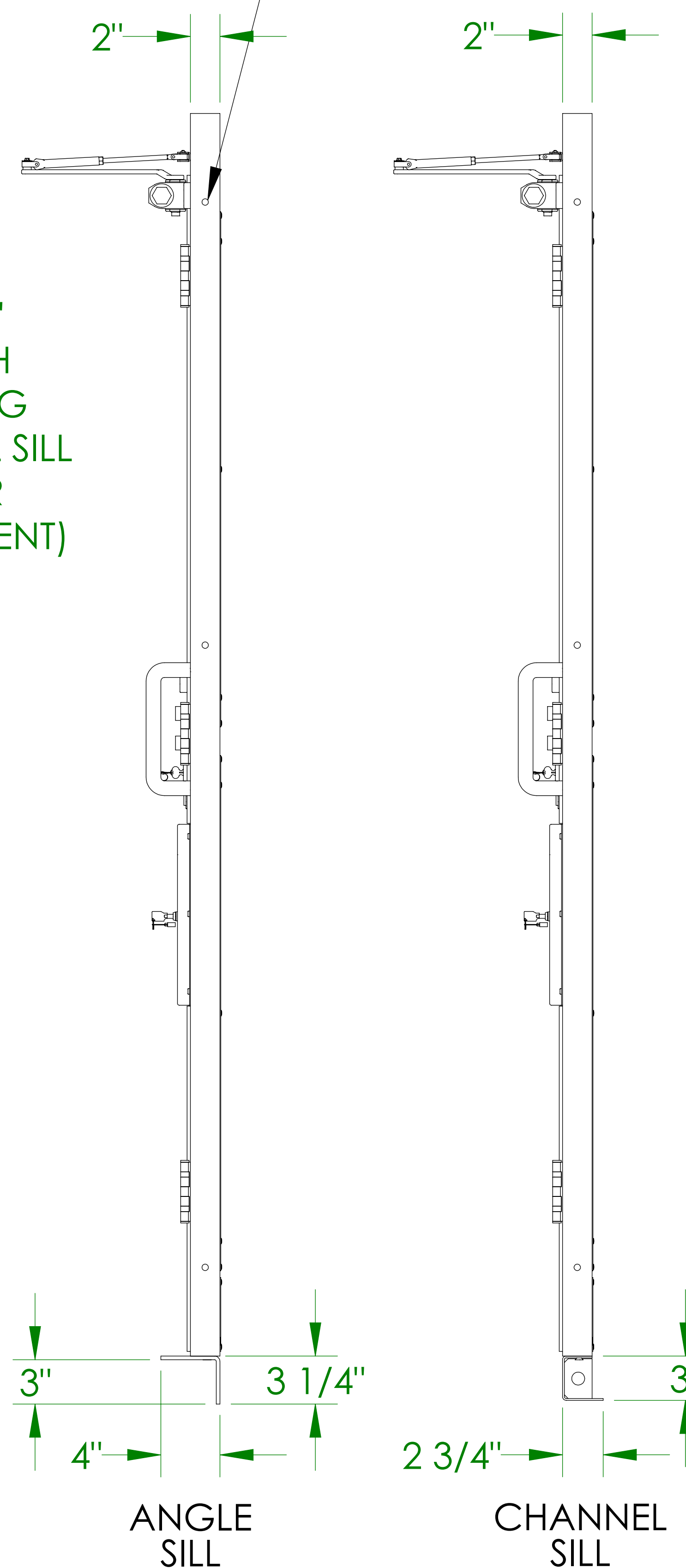
DESCRIPTION	'A'	'B'	'C'	'D'	'E'
FLUSH MOUNT 36" ALUMINUM DOOR	36"	42"	42-1/2"	33-3/8"	38-1/8"
FLUSH MOUNT 45" ALUMINUM DOOR	45"	51"	51-1/2"	42-3/8"	47-1/8"

NOTES:

1. TWO PIECES OF VERTICAL FRAME TRIM IS INCLUDED. TRIM CAN BE USED AS NEEDED WHEN INSTALLING THE DOOR.
2. DEALER TO SUPPLY MOUNTING HARDWARE (i.e. SCREWS, ANCHORS).
3. PANEL INSERT MATERIAL IS EITHER CLEAR ACRYLIC OR BRONZE ACRYLIC. PANELS ARE SHIPPED WITH A PROTECTIVE PAPER TO BE REMOVED BY INSTALLER.
4. WHEN ANGLE SILL IS USED IN A PIT, PIT DEPTH SHOULD BE AT LEAST 3".
5. WHEN CHANNEL SILL IS USED IN A PIT, PIT DEPTH SHOULD BE 3" (DOOR WILL NOT OPEN IF PIT IS OVER 3").

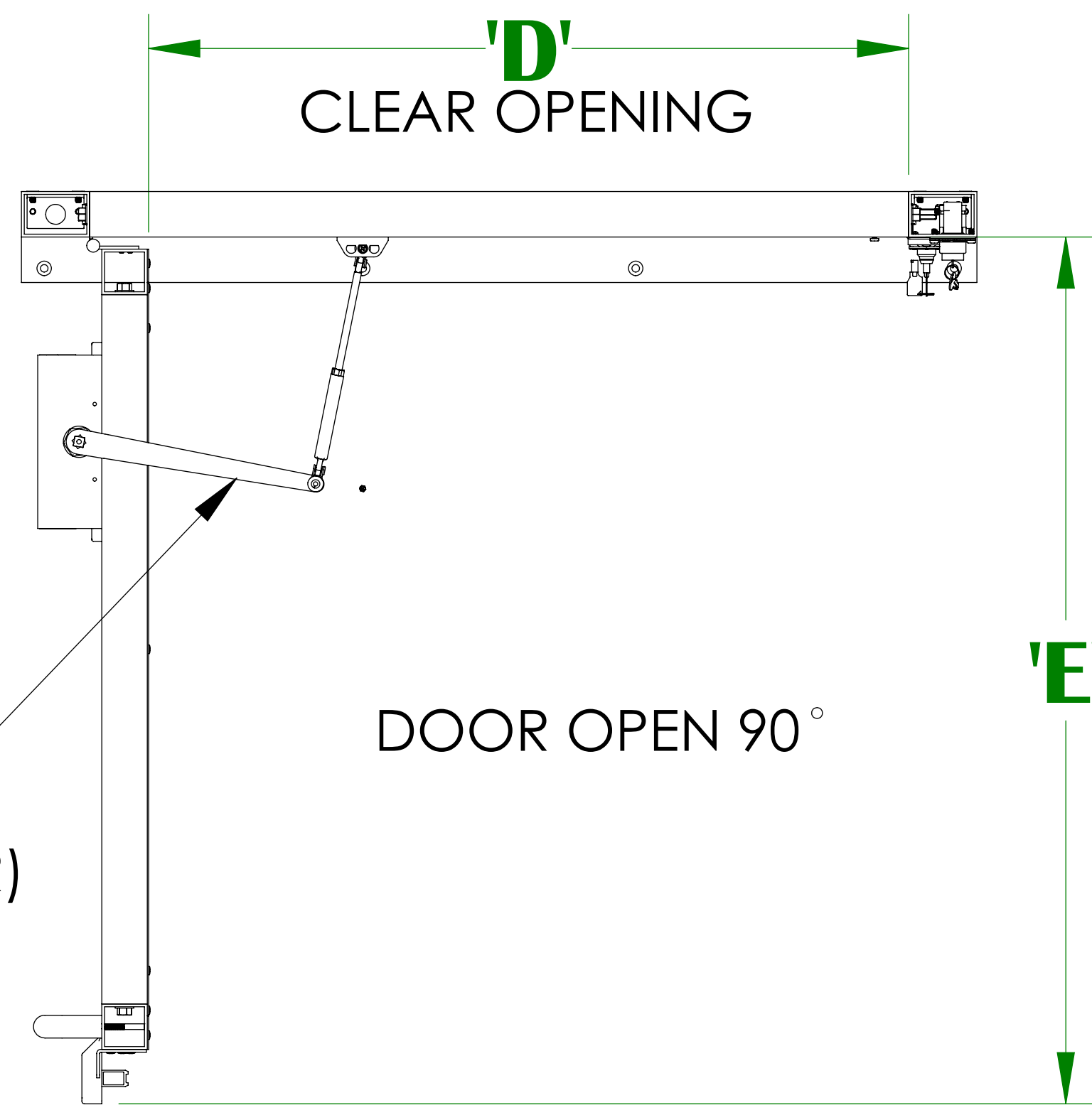


THERE ARE 3 MOUNTING HOLES (7/16" DIA.) ON EACH SIDE OF THE DOOR FRAME TO SECURE THE DOOR TO THE WALLS.



FLUSH MOUNT ALUMINUM DOOR DETAIL (RH SWING)

BRUNO VERTICAL PLATFORM LIFT



DESCRIPTION	'A'	'B'	'C'	'D'	'E'
FLUSH MOUNT 36" ALUMINUM DOOR	36"	42"	42-1/2"	33-3/8"	38-1/8"
FLUSH MOUNT 45" ALUMINUM DOOR	45"	51"	51-1/2"	42-3/8"	47-1/8"

NOTES:

1. TWO PIECES OF VERTICAL FRAME TRIM IS INCLUDED. TRIM CAN BE USED AS NEEDED WHEN INSTALLING THE DOOR.
2. DEALER TO SUPPLY MOUNTING HARDWARE (ie. SCREWS, ANCHORS).
3. PANEL INSERT MATERIAL IS EITHER CLEAR ACRYLIC OR BRONZE ACRYLIC. PANELS ARE SHIPPED WITH A PROTECTIVE PAPER TO BE REMOVED BY INSTALLER.
4. WHEN ANGLE SILL IS USED IN A PIT, PIT DEPTH SHOULD BE AT LEAST 3".
5. WHEN CHANNEL SILL IS USED IN A PIT, PIT DEPTH SHOULD BE 3" (DOOR WILL NOT OPEN IF PIT IS OVER 3").

DOOR CLOSER PROVIDED (REMOVED BY INSTALLER IF INSTALLING A DOOR OPENER)

DOOR OPEN 90°

CAP WITH CPP-20301 IF NEEDED (QTY. 2) (ORDER SEPERATELY)

ROUGH OPENING (B + 1/2")

'B'

'C'

87 5/8" ROUGH OPENING (CHANNEL SILL FLOOR ATTACHMENT)

84 7/8" ROUGH OPENING (WALL OR PIT ATTACHMENT)

80 1/8"

84 1/8"

87 1/8" CHANNEL SILL

87 3/8" ANGLE SILL

CALL/SEND CONTROL (OPTIONAL)

ELECTRIC STRIKE INTERLOCK (ESI)

THERE ARE 3 MOUNTING HOLES (7/16" DIA.) ON EACH SIDE OF THE DOOR FRAME TO SECURE THE DOOR TO THE WALLS.

2"

2"

3"

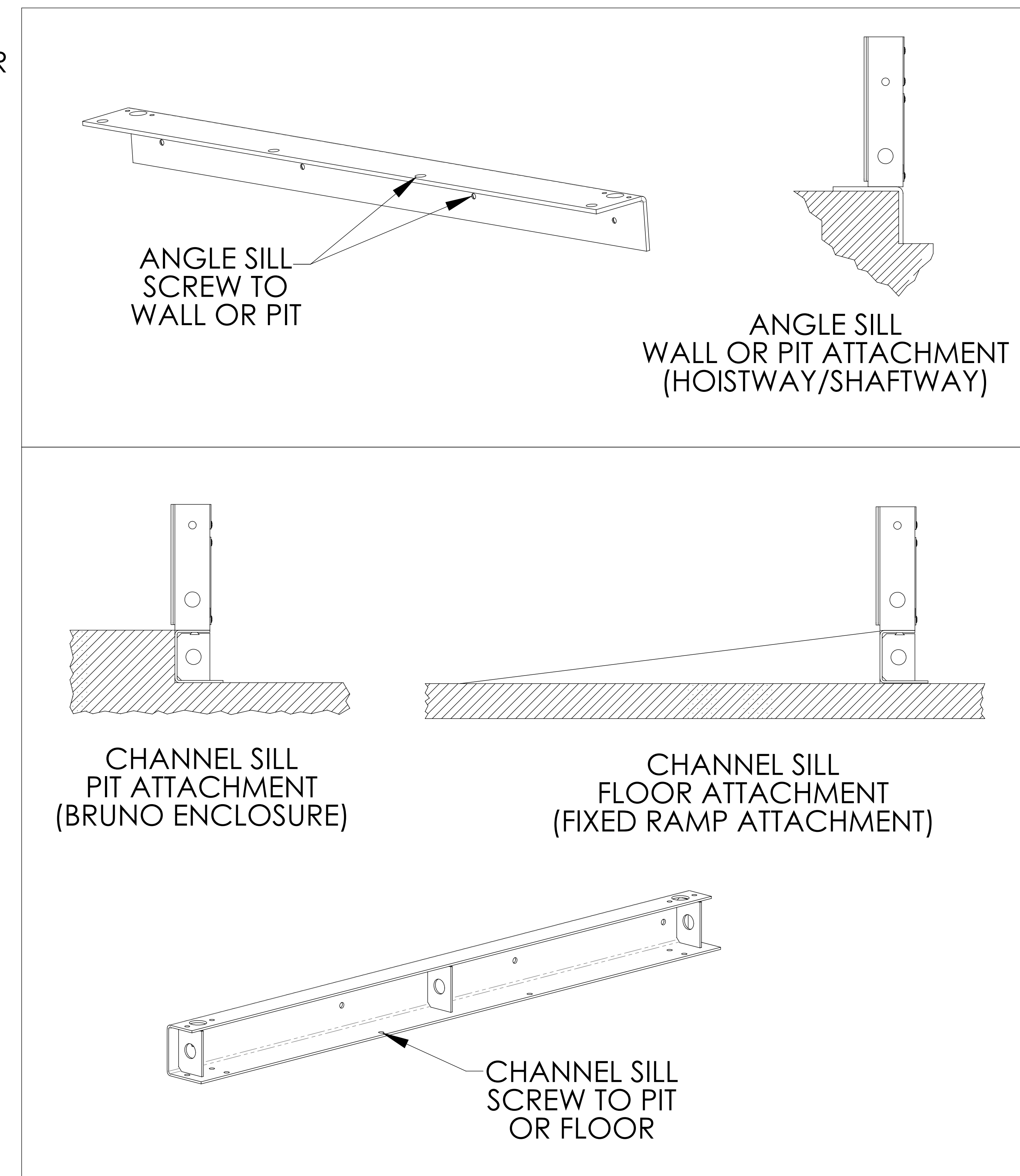
3 1/4"

3"

ANGLE SILL

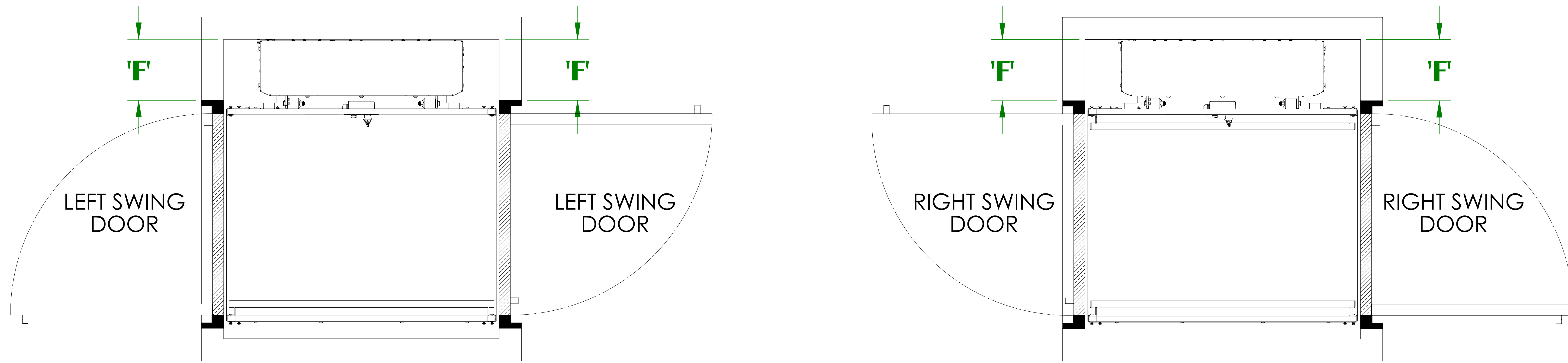
2 3/4"

CHANNEL SILL



ILS-01194
SHEET 2 OF 5
REV. 2 (6446)(8/23/17)(DPG)

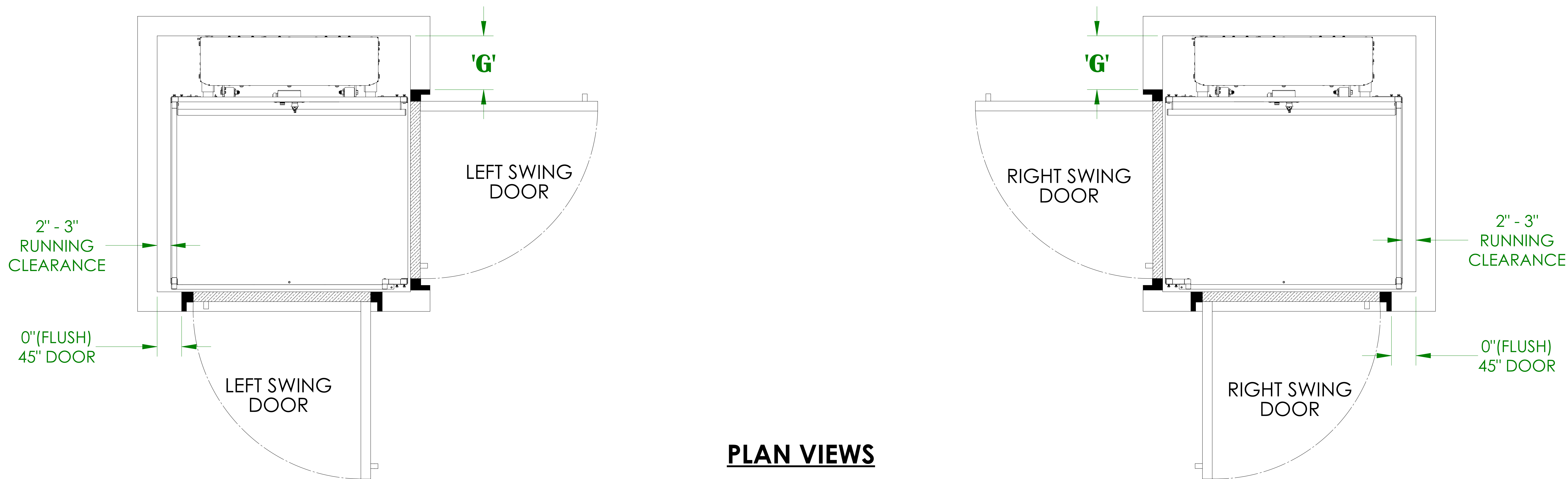
FLUSH MOUNT ALUMINUM DOOR ALIGNMENT (STRAIGHT-THRU PLATFORM) BRUNO VERTICAL PLATFORM LIFT



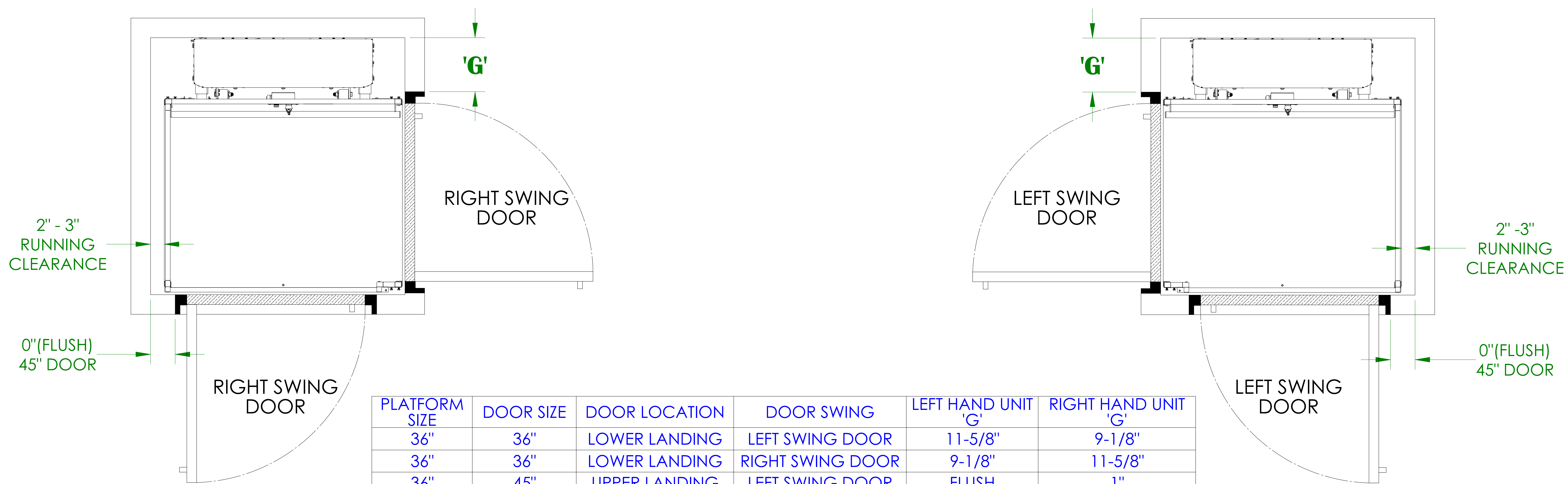
PLAN VIEWS

DOOR SIZE	DOOR LOCATION	DOOR SWING	LEFT HAND UNIT 'F'	RIGHT HAND UNIT 'F'
36"	LOWER LANDING	LEFT SWING DOOR	11-5/8"	9-1/8"
36"	LOWER LANDING	RIGHT SWING DOOR	9-1/8"	11-5/8"
36"	UPPER LANDING	LEFT SWING DOOR	9-1/8"	11-5/8"
36"	UPPER LANDING	RIGHT SWING DOOR	11-5/8"	9-1/8"
45"	LOWER LANDING	LEFT SWING DOOR	10-1/8"	7-5/8"
45"	LOWER LANDING	RIGHT SWING DOOR	7-5/8"	10-1/8"
45"	UPPER LANDING	LEFT SWING DOOR	7-5/8"	10-1/8"
45"	UPPER LANDING	RIGHT SWING DOOR	10-1/8"	7-5/8"

FLUSH MOUNT ALUMINUM DOOR ALIGNMENT (90° / ADJACENT EXIT PLATFORM) BRUNO VERTICAL PLATFORM LIFT

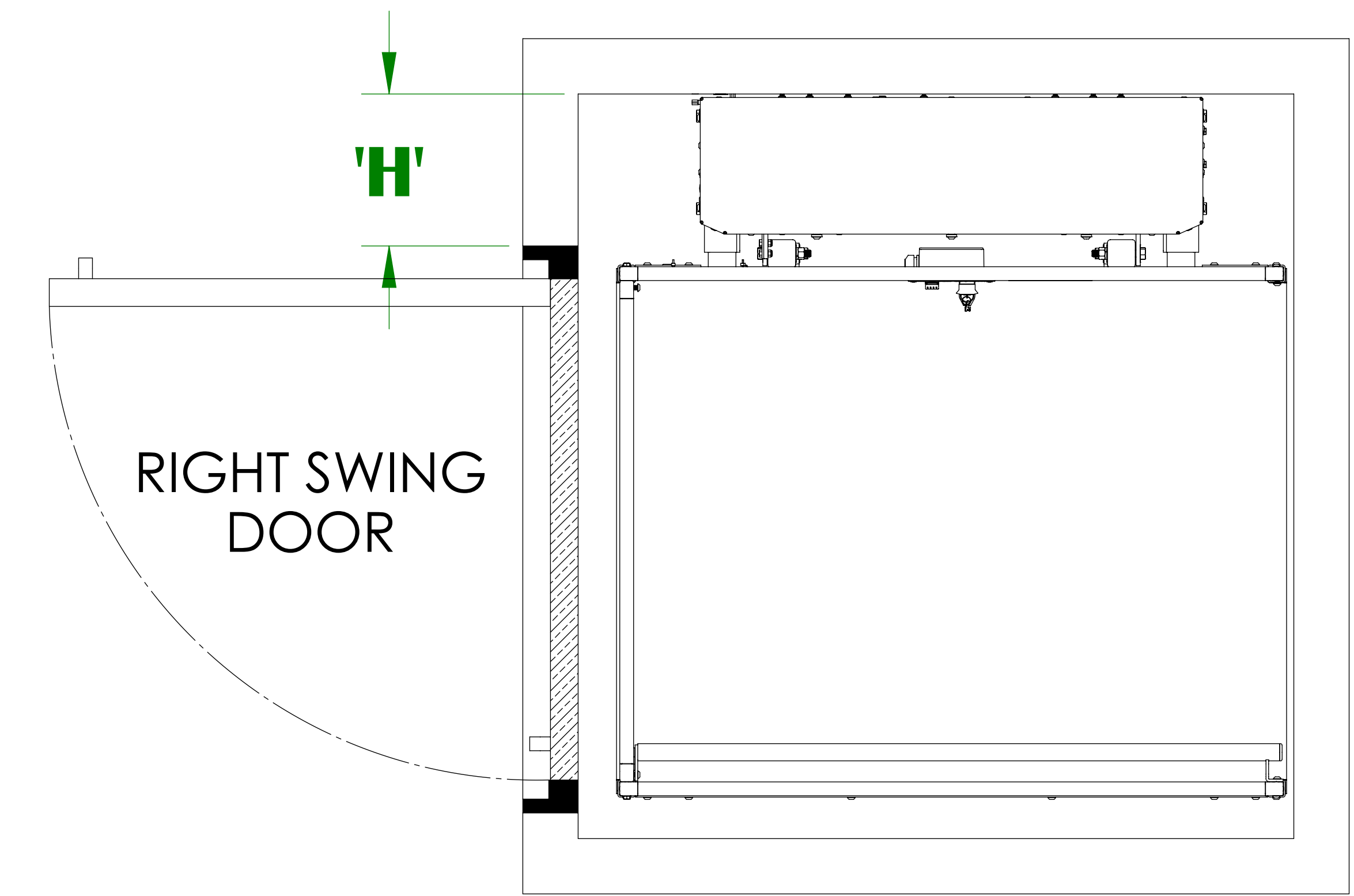
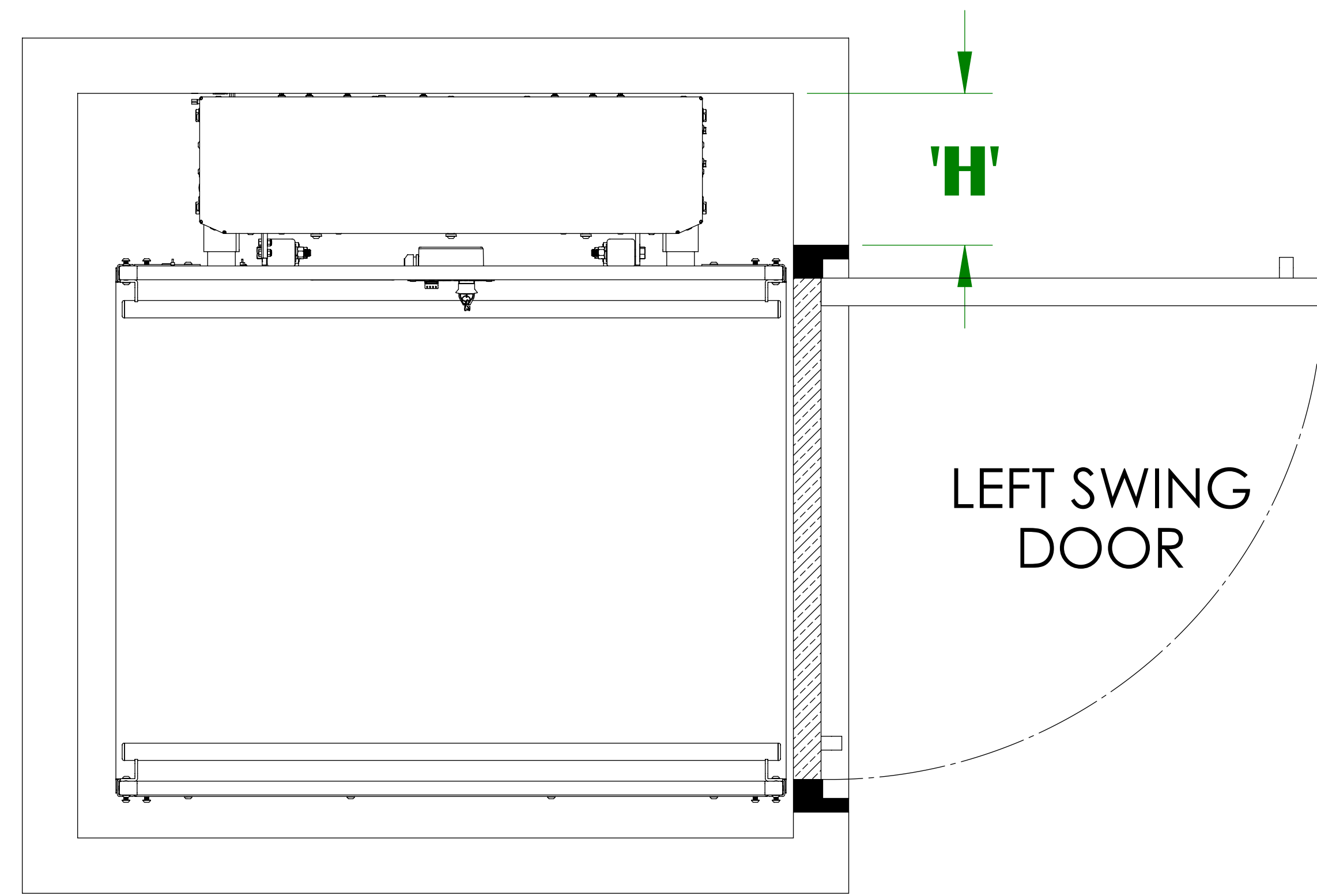


PLAN VIEWS

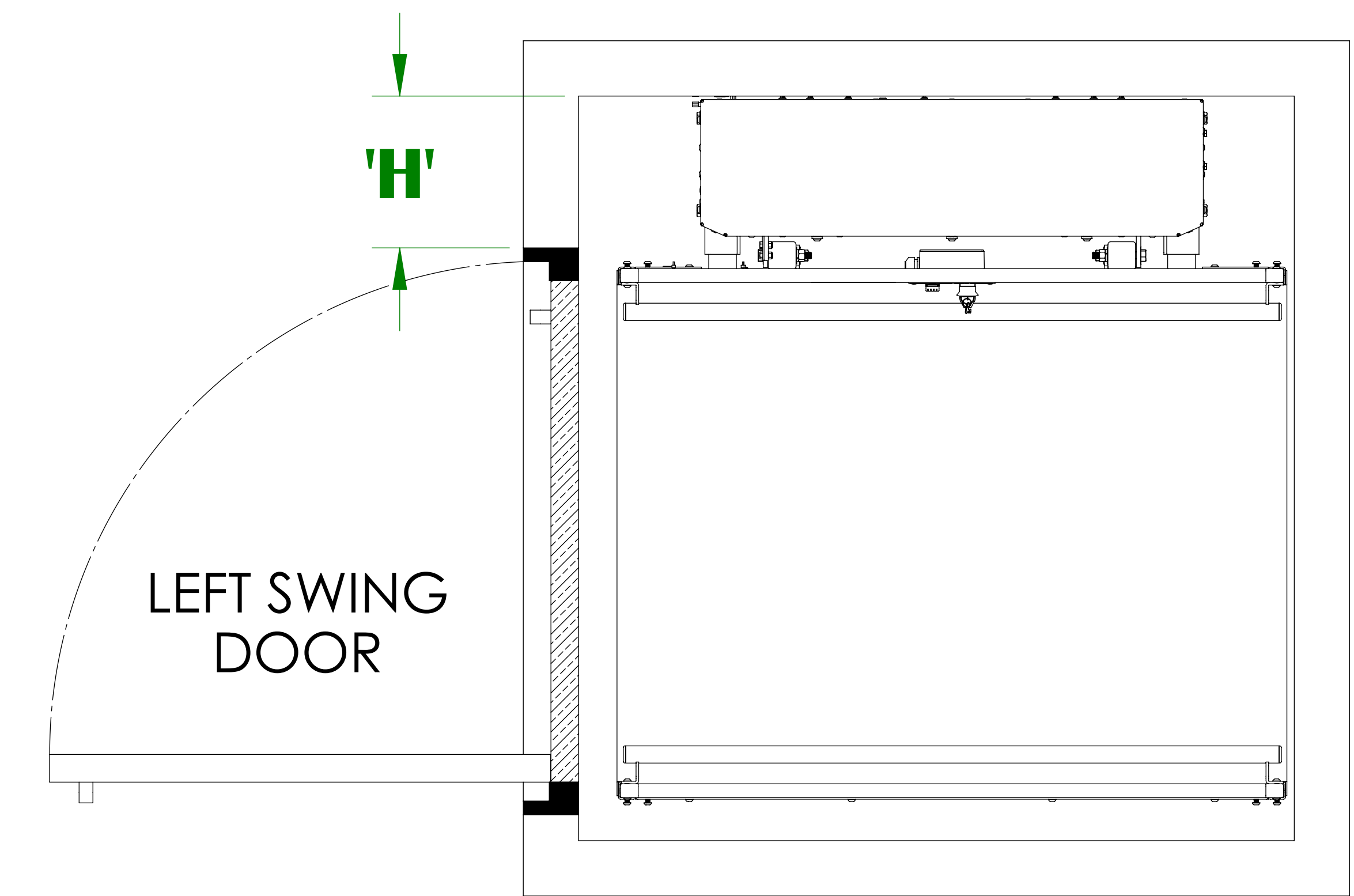
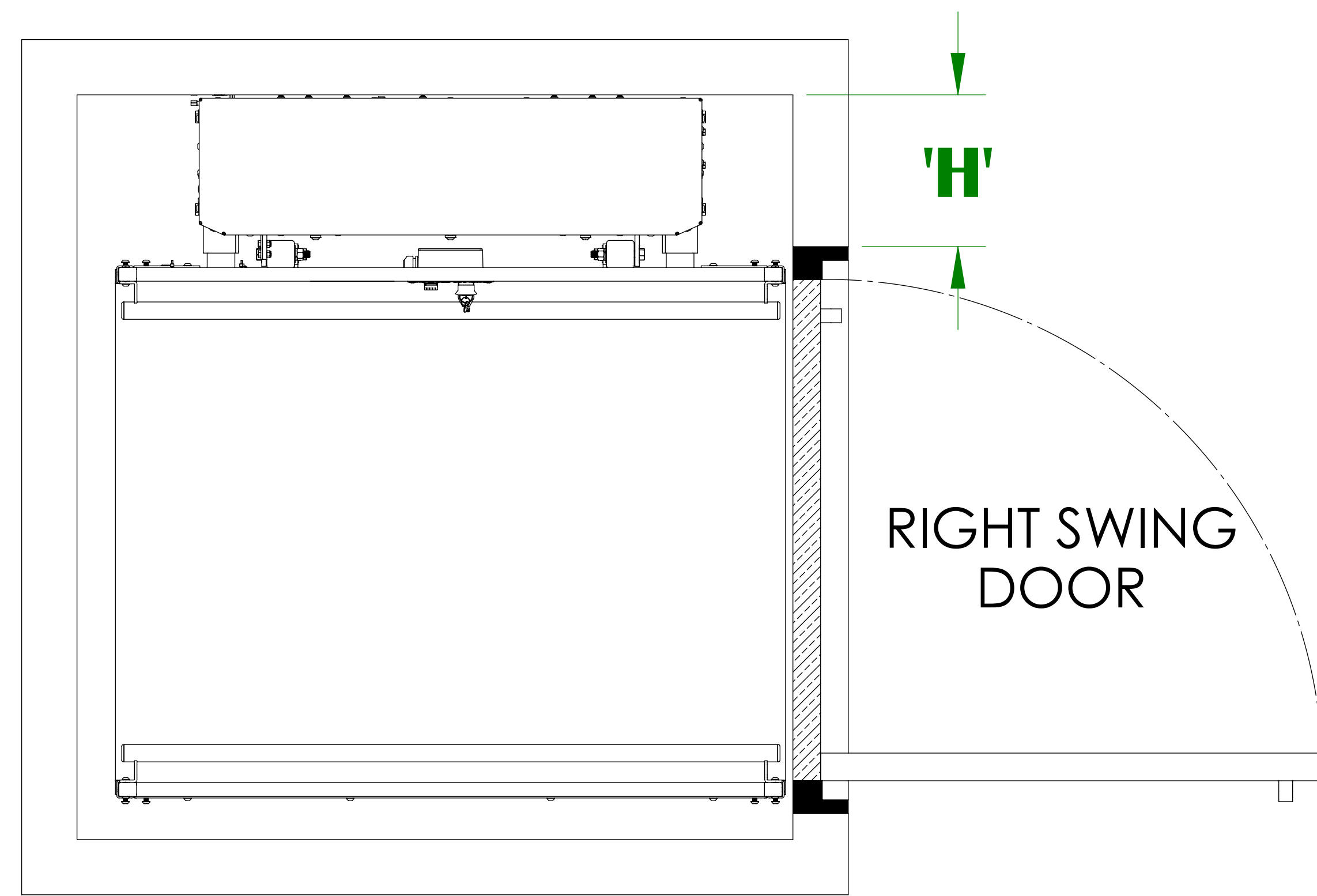


PLATFORM SIZE	DOOR SIZE	DOOR LOCATION	DOOR SWING	LEFT HAND UNIT 'G'	RIGHT HAND UNIT 'G'
36"	36"	LOWER LANDING	LEFT SWING DOOR	11-5/8"	9-1/8"
36"	36"	LOWER LANDING	RIGHT SWING DOOR	9-1/8"	11-5/8"
36"	45"	UPPER LANDING	LEFT SWING DOOR	FLUSH	1"
36"	45"	UPPER LANDING	RIGHT SWING DOOR	1"	FLUSH
42"	45"	LOWER LANDING	LEFT SWING DOOR	10-1/8"	7-5/8"
42"	45"	LOWER LANDING	RIGHT SWING DOOR	7-5/8"	10-5/8"
42"	45"	UPPER LANDING	LEFT SWING DOOR	FLUSH	1"
42"	45"	UPPER LANDING	RIGHT SWING DOOR	1"	FLUSH

FLUSH MOUNT ALUMINUM DOOR ALIGNMENT (SAME SIDE PLATFORM) BRUNO VERTICAL PLATFORM LIFT



PLAN VIEWS



DOOR SIZE	DOOR LOCATION	DOOR SWING	LEFT HAND UNIT 'H'	RIGHT HAND UNIT 'H'
36"	LOWER LANDING	LEFT SWING DOOR	11-5/8"	9-1/8"
36"	LOWER LANDING	RIGHT SWING DOOR	9-1/8"	11-5/8"
36"	UPPER LANDING	LEFT SWING DOOR	11-5/8"	9-1/8"
36"	UPPER LANDING	RIGHT SWING DOOR	9-1/8"	11-5/8"
45"	LOWER LANDING	LEFT SWING DOOR	10-1/8"	7-5/8"
45"	LOWER LANDING	RIGHT SWING DOOR	7-5/8"	10-1/8"
45"	UPPER LANDING	LEFT SWING DOOR	10-1/8"	7-5/8"
45"	UPPER LANDING	RIGHT SWING DOOR	7-5/8"	10-1/8"