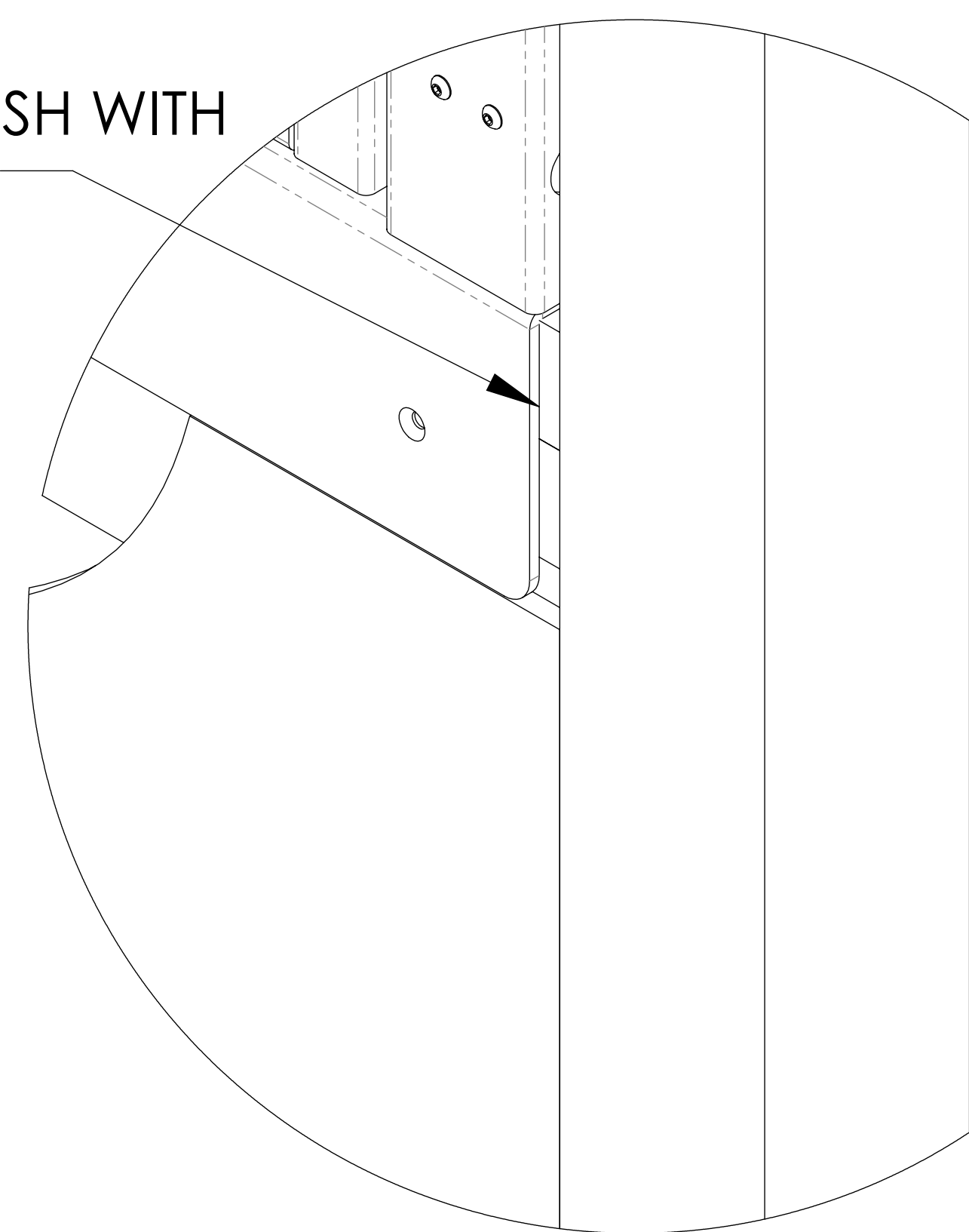


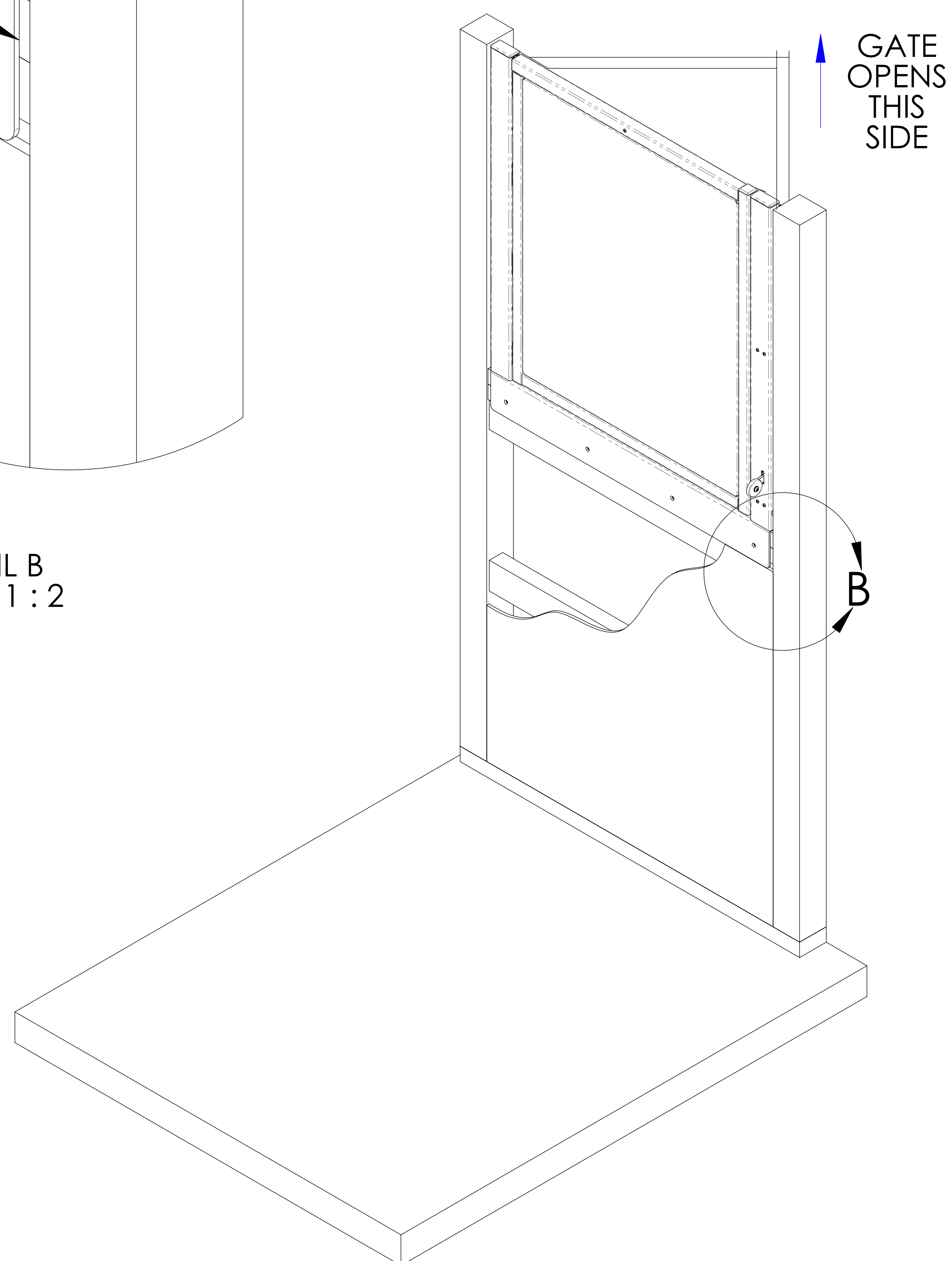
GATE INSTALLATION FRAMING

LEFT HAND GATE INSTALLATION SHOWN

GATE SILL FLANGE SHOULD BE PLACED FLUSH WITH UNDERNEATH FRAMING



DETAIL B
SCALE 1 : 2

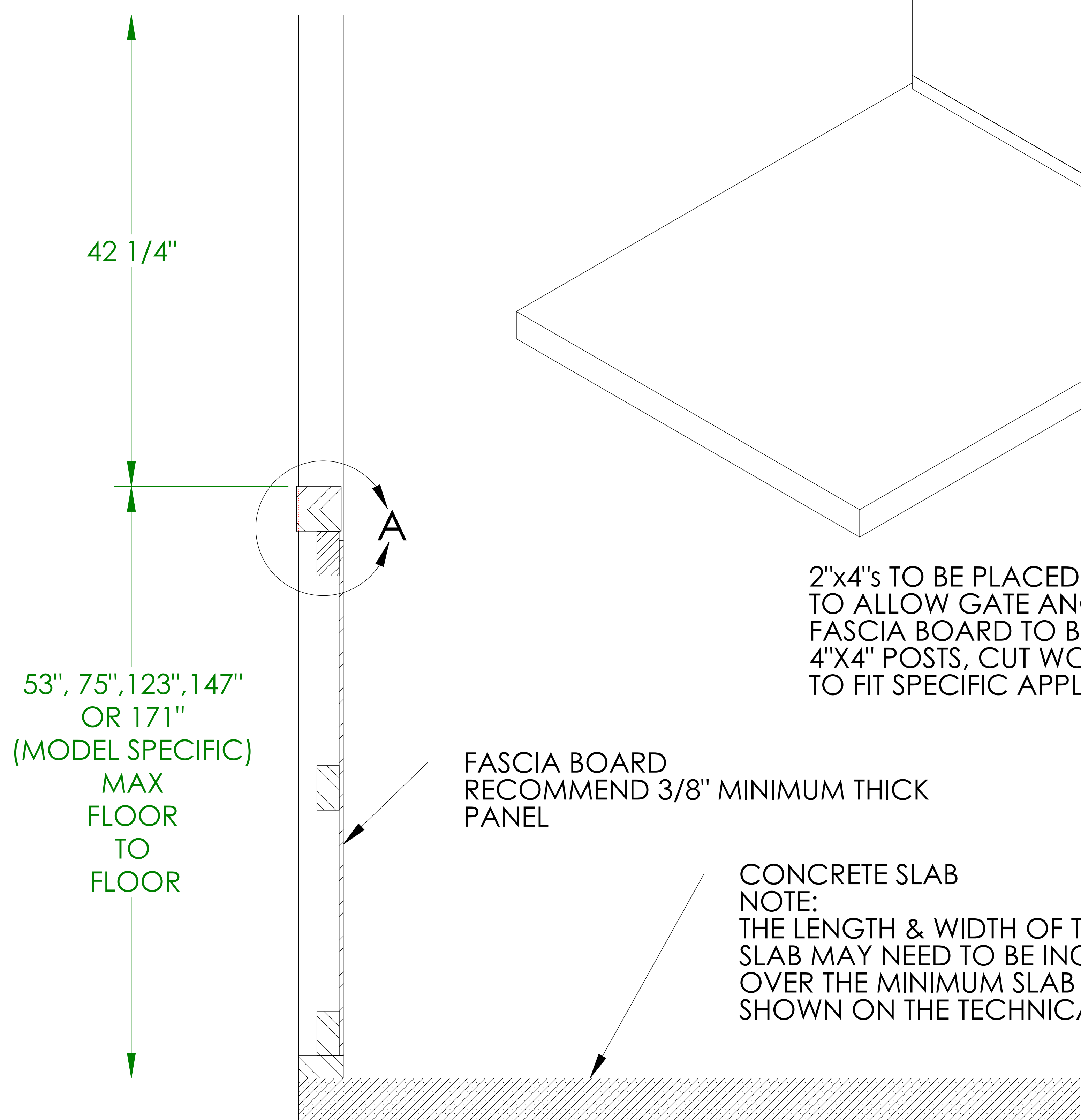


GATE
OPENS
THIS
SIDE

2"x4"s TO BE PLACED BACK TO ALLOW GATE ANGLE AND FASCIA BOARD TO BE FLUSH WITH 4"x4" POSTS, CUT WOOD AS NEEDED TO FIT SPECIFIC APPLICATION.

NOTES: ⁴

1. ALL FRAMING MUST BE CAPABLE OF WITHSTANDING A 200 LBS CONCENTRATED LOAD IN ALL DIRECTIONS.
2. AN ALTERNATIVE METHOD TO ACHIEVE A FLUSH FINISH BETWEEN THE GATE SILL FLANGE AND FASCIA BOARD IS TO ROUTER A POCKET INTO THE THE AREA COVERED BY THE GATE SILL FLANGE. THIS POCKET SHOULD BE 3/16" DEEP.
3. REFER TO THE TECHNICAL DRAWINGS FOR ADDITIONAL INSTALLATION DIMENSIONS.



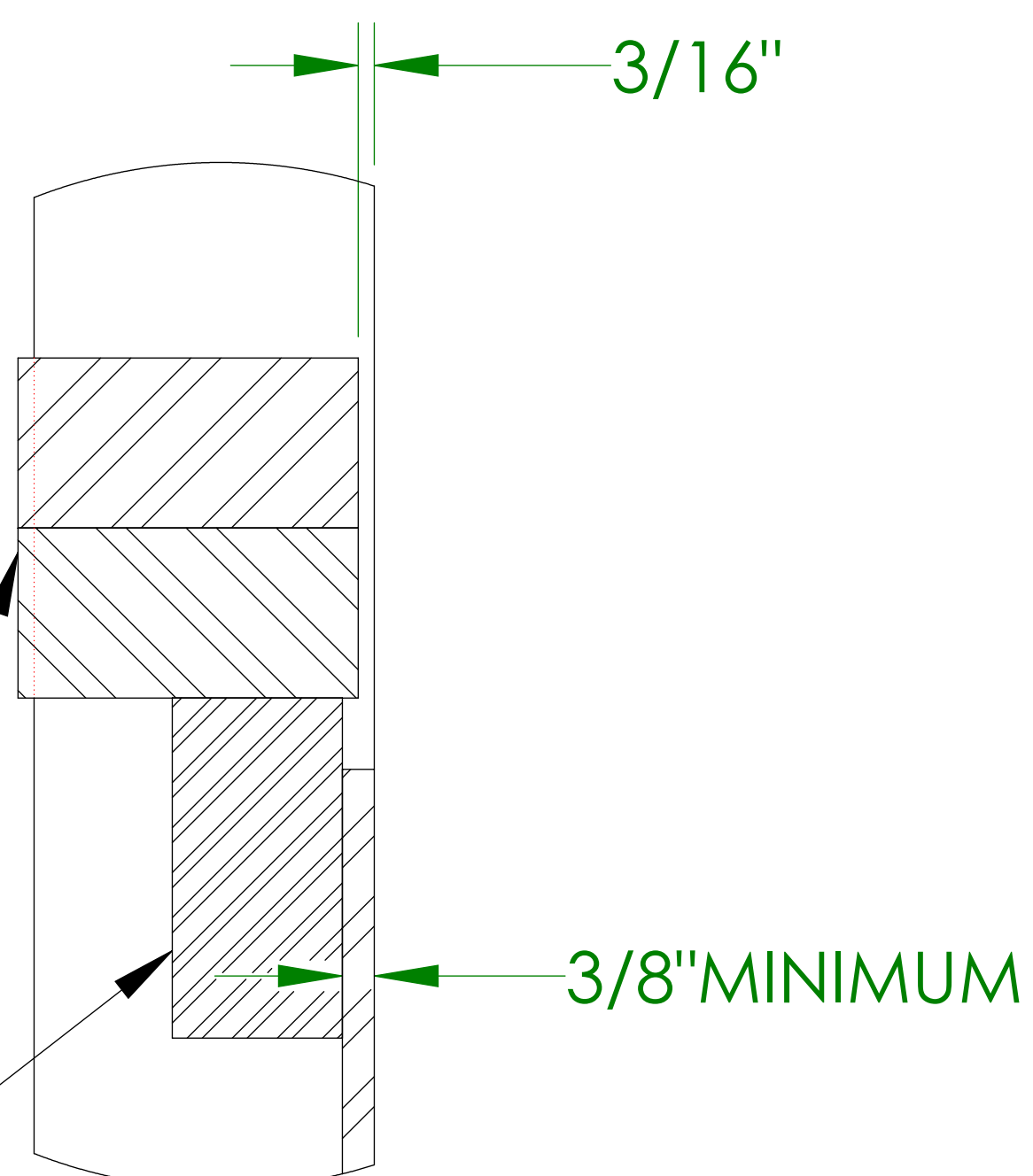
SECTION A-A

42 1/4"

53", 75", 123", 147" OR 171"
(MODEL SPECIFIC)
MAX FLOOR TO FLOOR

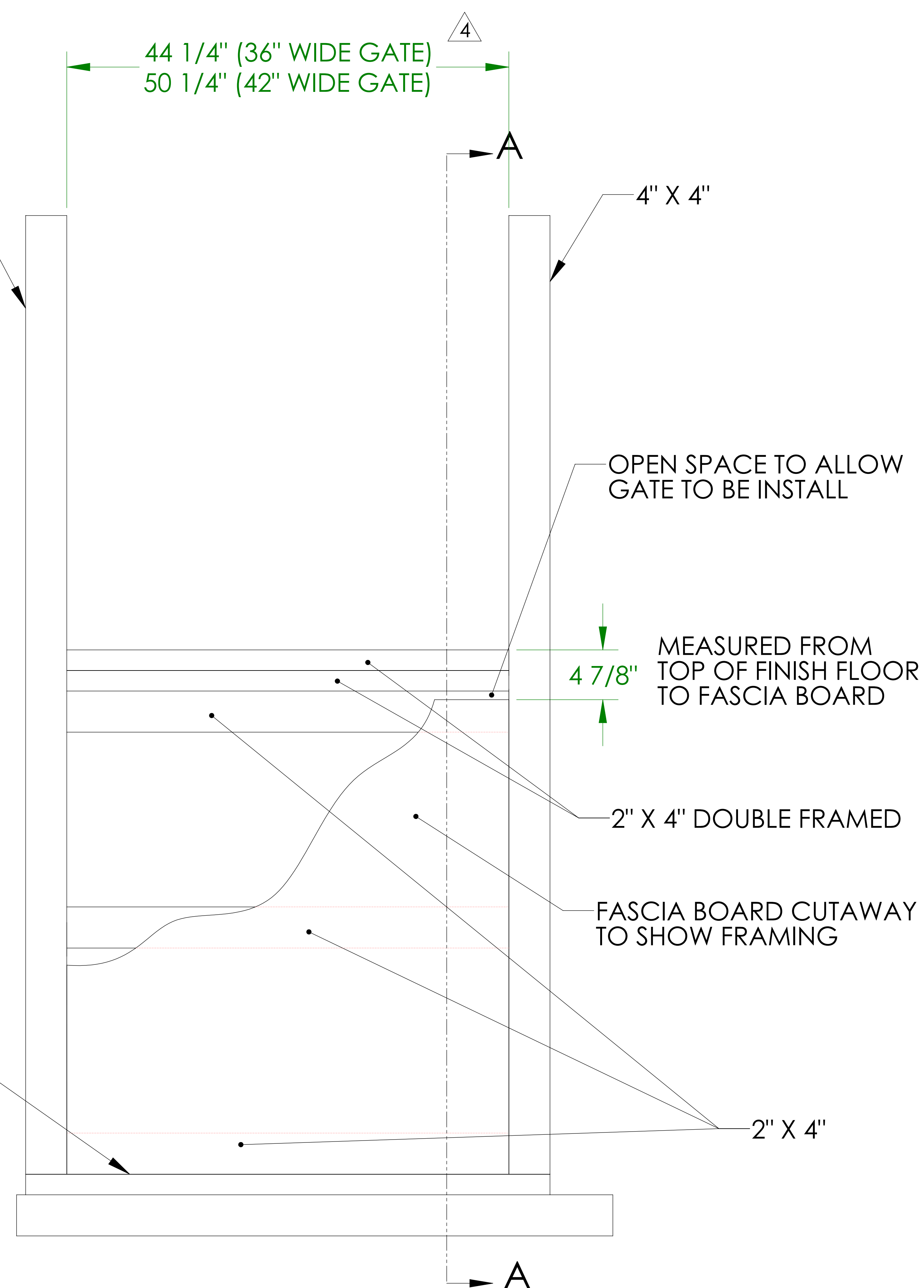
FASCIA BOARD RECOMMEND 3/8" MINIMUM THICK PANEL

CONCRETE SLAB
NOTE:
THE LENGTH & WIDTH OF THE SLAB MAY NEED TO BE INCREASED OVER THE MINIMUM SLAB DIMENSIONS SHOWN ON THE TECHNICAL DRAWINGS



DETAIL A
SCALE 1 : 2

2" X 4" TO BE ANCHORED TO CONCRETE SLAB



44 1/4" (36" WIDE GATE)
50 1/4" (42" WIDE GATE)

4" X 4"

OPEN SPACE TO ALLOW GATE TO BE INSTALL

4 7/8"
MEASURED FROM TOP OF FINISH FLOOR TO FASCIA BOARD

2" X 4" DOUBLE FRAMED

FASCIA BOARD CUTAWAY TO SHOW FRAMING

2" X 4"