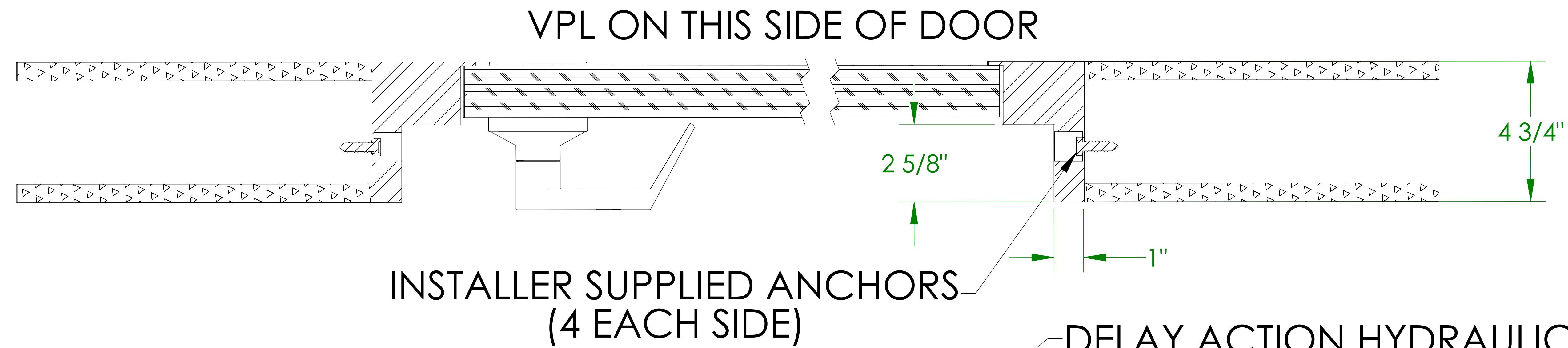
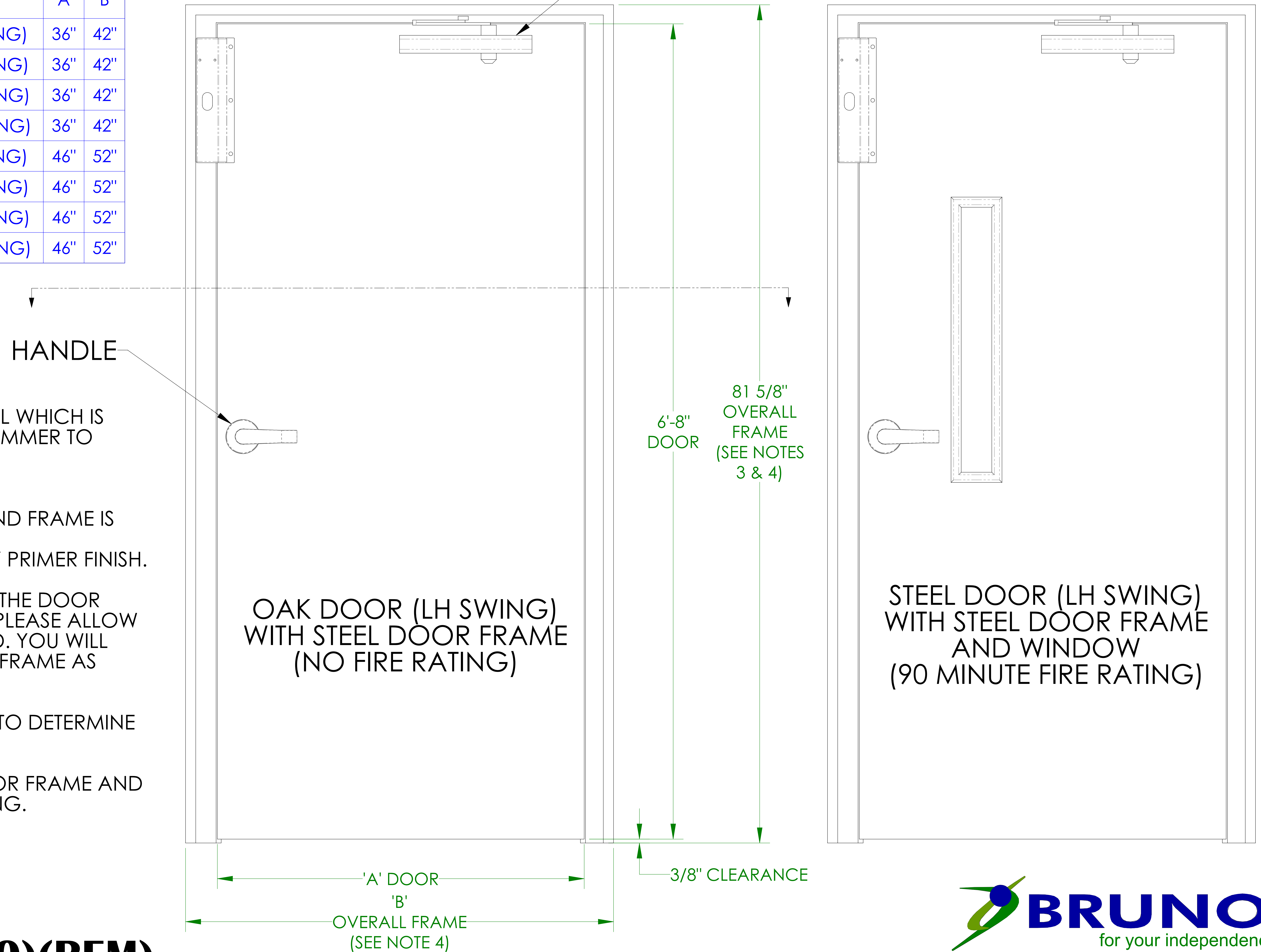


FLUSH MOUNT DOOR DETAIL BRUNO VERTICAL PLATFORM LIFT



PART NO.	DESCRIPTION	'A'	'B'
VPL-32236	FLUSH MOUNT 36" OAK DOOR (LH SWING)	36"	42"
VPL-32237	FLUSH MOUNT 36" OAK DOOR (RH SWING)	36"	42"
VPL-32238	FLUSH MOUNT 36" STEEL DOOR (LH SWING)	36"	42"
VPL-32239	FLUSH MOUNT 36" STEEL DOOR (RH SWING)	36"	42"
VPL-32272	FLUSH MOUNT 46" OAK DOOR (LH SWING)	46"	52"
VPL-32273	FLUSH MOUNT 46" OAK DOOR (RH SWING)	46"	52"
VPL-32274	FLUSH MOUNT 46" STEEL DOOR (LH SWING)	46"	52"
VPL-32275	FLUSH MOUNT 46" STEEL DOOR (RH SWING)	46"	52"



NOTES:

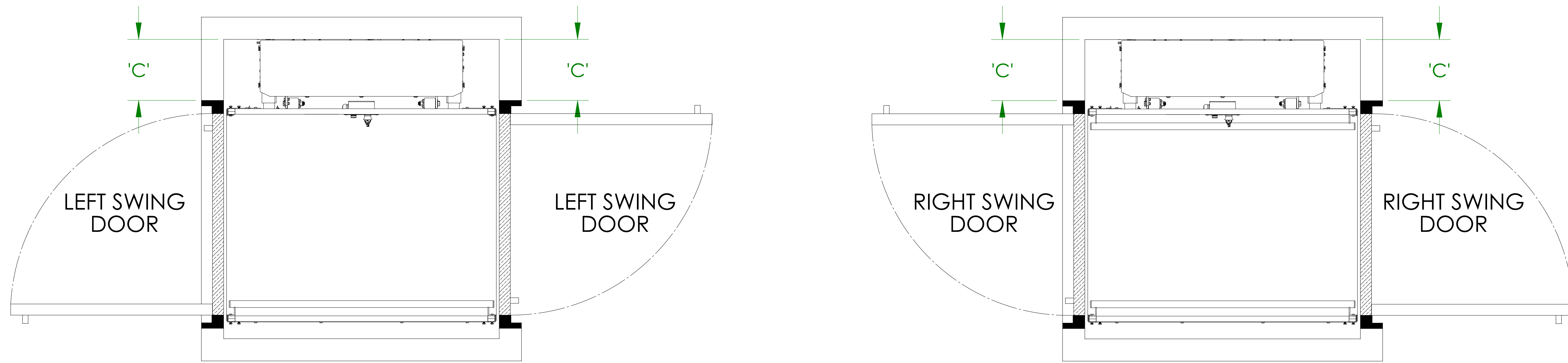
1. DOOR FRAME IS SHIPPED WITH TACKPLATE SILL WHICH IS REMOVED DURING INSTALLATION (USE A HAMMER TO REMOVE).
2. FINISH:
 - A. OAK DOOR IS PLAIN (NOT FINISHED) AND FRAME IS GRAY PRIMER FINISH.
 - B. STEEL DOOR AND FRAME HAS A GRAY PRIMER FINISH.
3. IF DOOR IS USED WITH A FIXED RAMP, RAISE THE DOOR FRAME UP THE HEIGHT OF THE FIXED RAMP. PLEASE ALLOW FOR THIS IN THE ROUGH OPENING IF NEEDED. YOU WILL HAVE TO FINISH THE BOTTOM OF THE DOOR FRAME AS NEEDED.
4. ADD 1/2" TO OVERALL FRAME DIMENSIONS TO DETERMINE ROUGH OPENING.
5. DIMENSIONS ON PAGES 2-4 ARE TO THE DOOR FRAME AND DO NOT ACCOUNT FOR THE ROUGH OPENING.

ILS-01027
SHEET 1 OF 4
REV. 6 (7269)(10/21/20)(REM)



©Bruno Independent Living Aids, Inc.

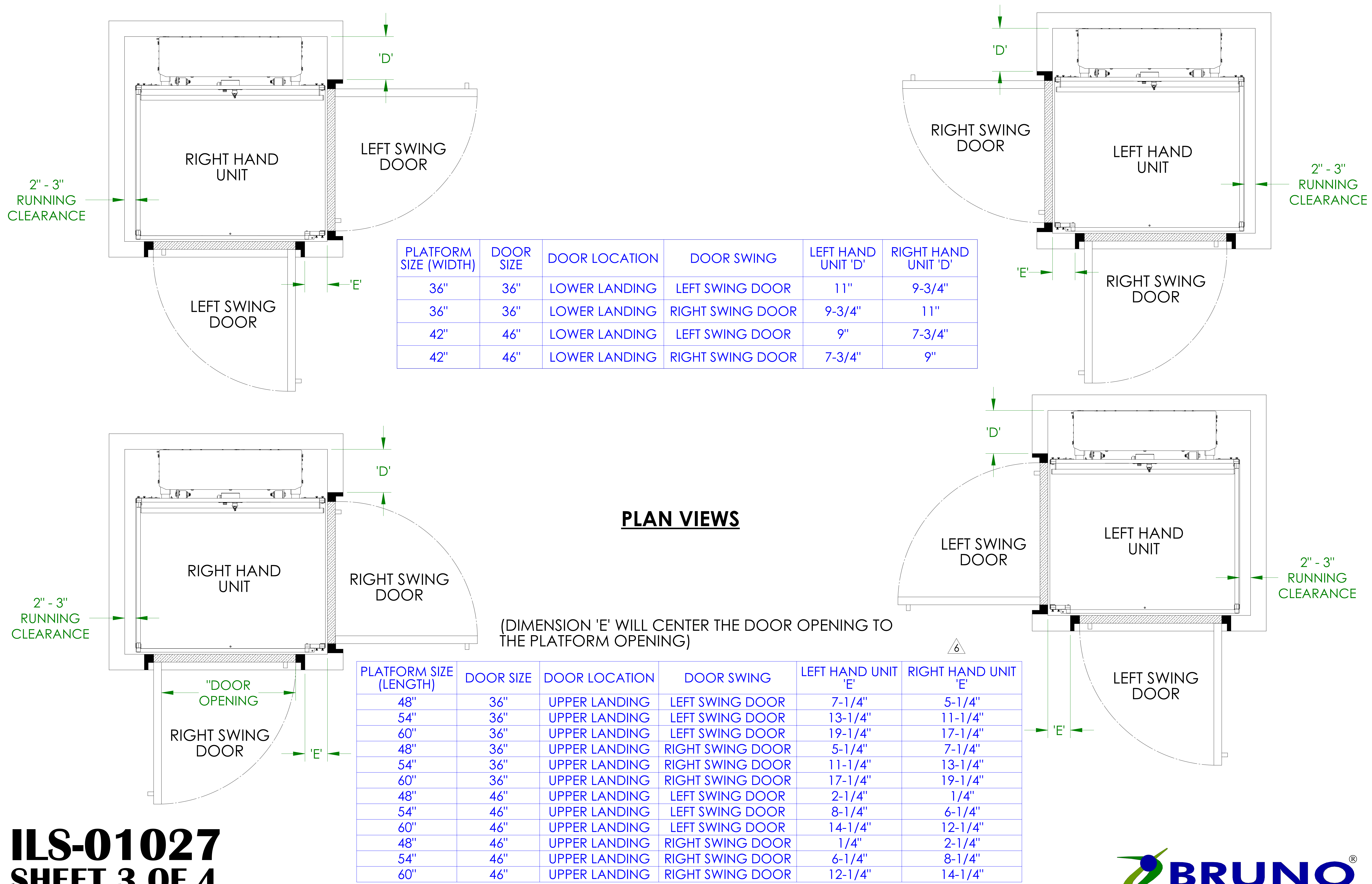
FLUSH MOUNT DOOR ALIGNMENT (STRAIGHT-THRU PLATFORM) BRUNO VERTICAL PLATFORM LIFT



PLAN VIEWS

DOOR SIZE	DOOR LOCATION	DOOR SWING	LEFT HAND UNIT 'C'	RIGHT HAND UNIT 'C'
36"	LOWER LANDING	LEFT SWING DOOR	11"	9-3/4"
36"	LOWER LANDING	RIGHT SWING DOOR	9-3/4"	11"
36"	UPPER LANDING	LEFT SWING DOOR	9-3/4"	11"
36"	UPPER LANDING	RIGHT SWING DOOR	11"	9-3/4"
46"	LOWER LANDING	LEFT SWING DOOR	9"	7-3/4"
46"	LOWER LANDING	RIGHT SWING DOOR	7-3/4"	9"
46"	UPPER LANDING	LEFT SWING DOOR	7-3/4"	9"
46"	UPPER LANDING	RIGHT SWING DOOR	9"	7-3/4"

FLUSH MOUNT DOOR ALIGNMENT (90° / ADJACENT EXIT PLATFORM) BRUNO VERTICAL PLATFORM LIFT



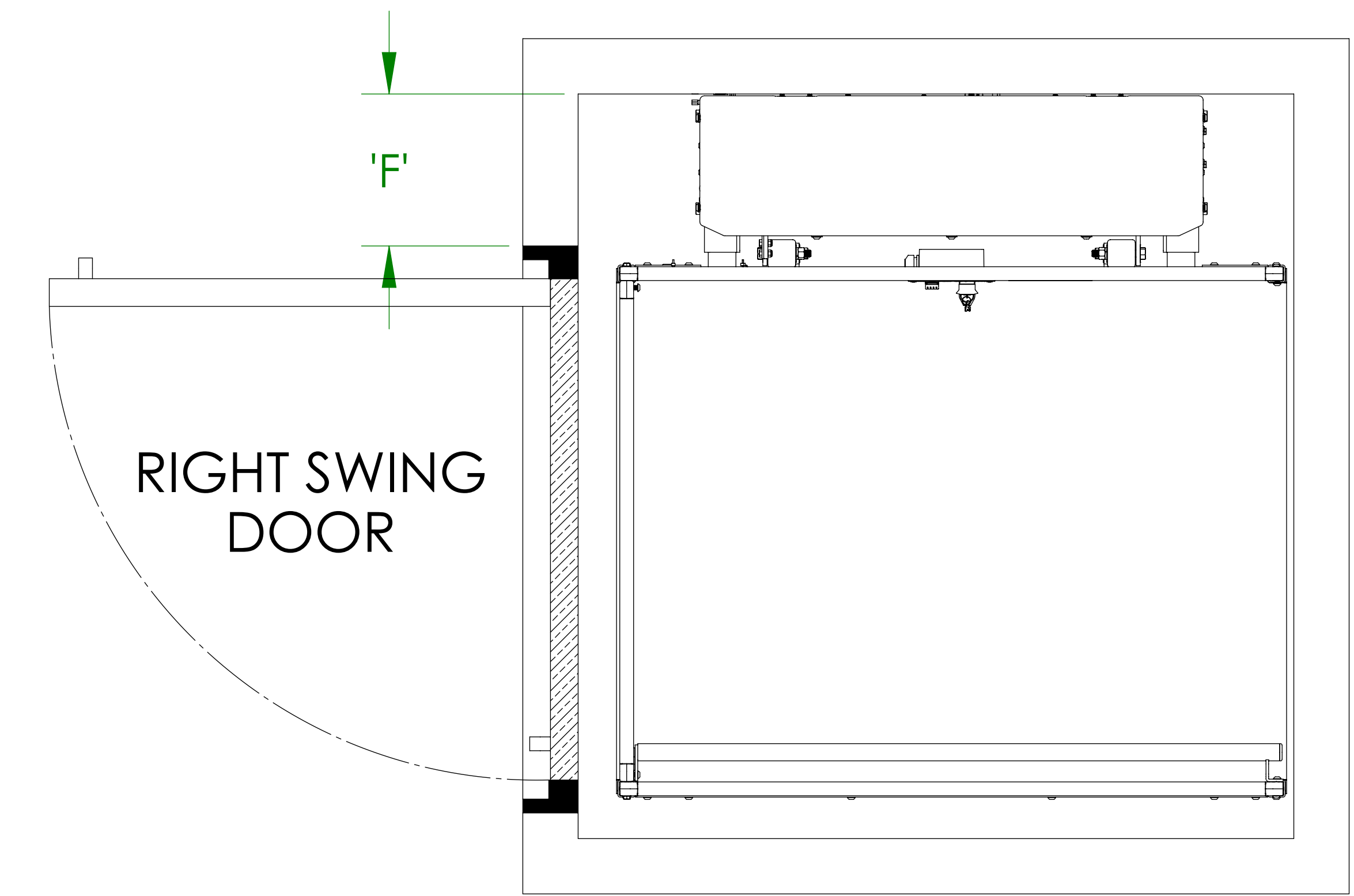
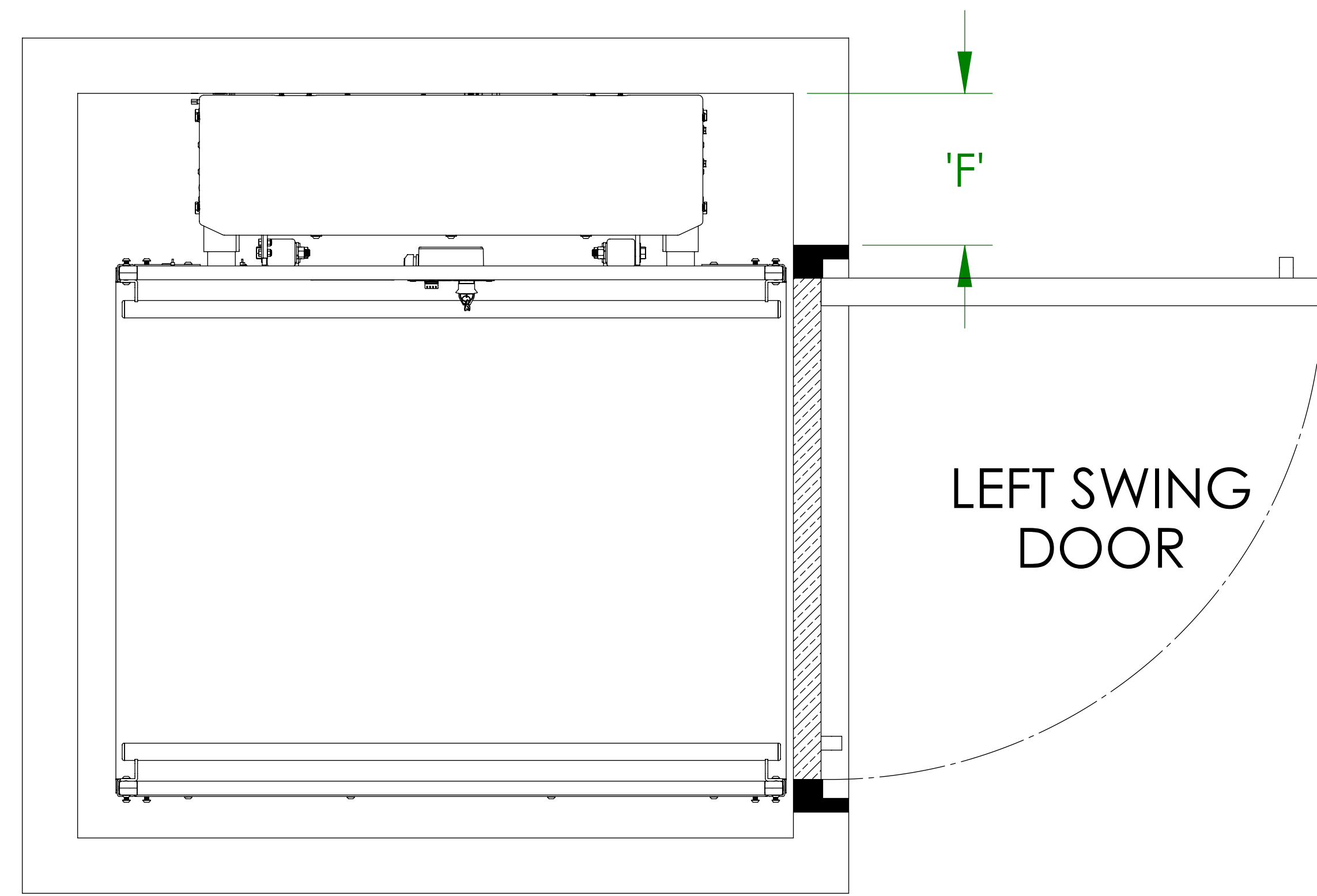
PLATFORM SIZE (WIDTH)	DOOR SIZE	DOOR LOCATION	DOOR SWING	LEFT HAND UNIT 'D'	RIGHT HAND UNIT 'D'
36"	36"	LOWER LANDING	LEFT SWING DOOR	11"	9-3/4"
36"	36"	LOWER LANDING	RIGHT SWING DOOR	9-3/4"	11"
42"	46"	LOWER LANDING	LEFT SWING DOOR	9"	7-3/4"
42"	46"	LOWER LANDING	RIGHT SWING DOOR	7-3/4"	9"

PLAN VIEWS

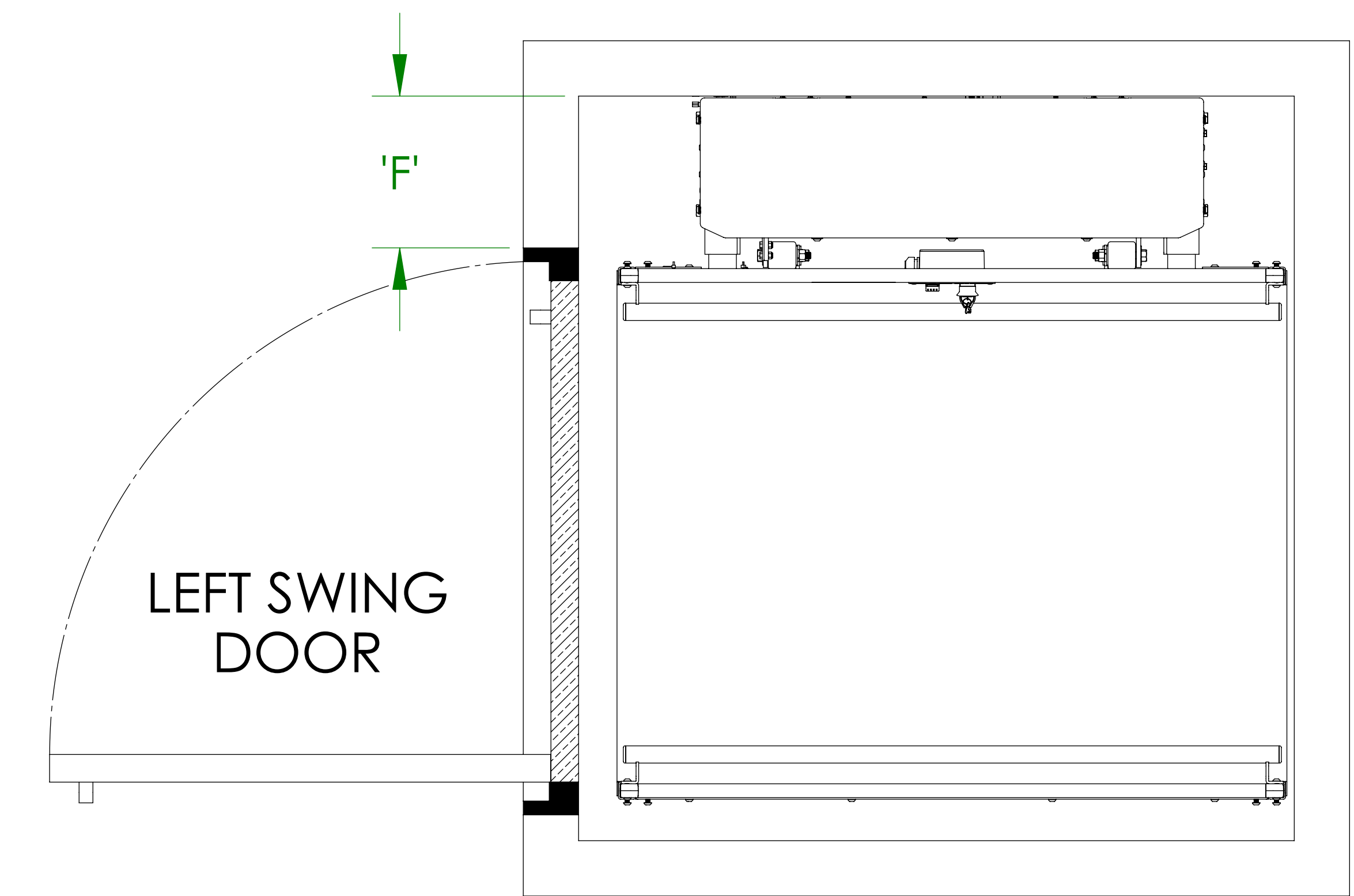
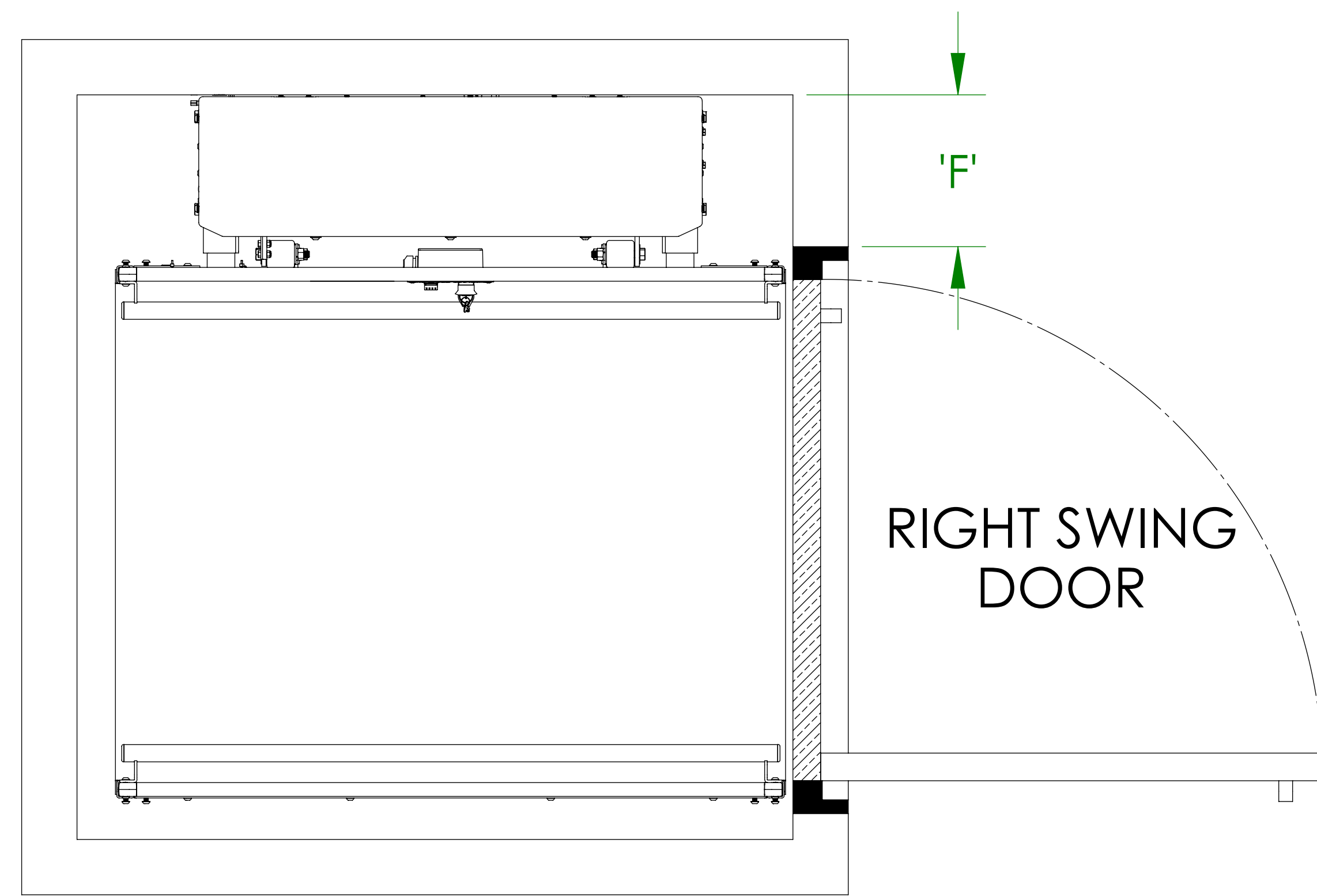
(DIMENSION 'E' WILL CENTER THE DOOR OPENING TO THE PLATFORM OPENING)

PLATFORM SIZE (LENGTH)	DOOR SIZE	DOOR LOCATION	DOOR SWING	LEFT HAND UNIT 'E'	RIGHT HAND UNIT 'E'
48"	36"	UPPER LANDING	LEFT SWING DOOR	7-1/4"	5-1/4"
54"	36"	UPPER LANDING	LEFT SWING DOOR	13-1/4"	11-1/4"
60"	36"	UPPER LANDING	LEFT SWING DOOR	19-1/4"	17-1/4"
48"	36"	UPPER LANDING	RIGHT SWING DOOR	5-1/4"	7-1/4"
54"	36"	UPPER LANDING	RIGHT SWING DOOR	11-1/4"	13-1/4"
60"	36"	UPPER LANDING	RIGHT SWING DOOR	17-1/4"	19-1/4"
48"	46"	UPPER LANDING	LEFT SWING DOOR	2-1/4"	1/4"
54"	46"	UPPER LANDING	LEFT SWING DOOR	8-1/4"	6-1/4"
60"	46"	UPPER LANDING	LEFT SWING DOOR	14-1/4"	12-1/4"
48"	46"	UPPER LANDING	RIGHT SWING DOOR	1/4"	2-1/4"
54"	46"	UPPER LANDING	RIGHT SWING DOOR	6-1/4"	8-1/4"
60"	46"	UPPER LANDING	RIGHT SWING DOOR	12-1/4"	14-1/4"

FLUSH MOUNT DOOR ALIGNMENT (SAME SIDE PLATFORM) BRUNO VERTICAL PLATFORM LIFT



PLAN VIEWS



DOOR SIZE	DOOR LOCATION	DOOR SWING	LEFT HAND UNIT 'F'	RIGHT HAND UNIT 'F'
36"	LOWER LANDING	LEFT SWING DOOR	11"	9-3/4"
36"	LOWER LANDING	RIGHT SWING DOOR	9-3/4"	11"
36"	UPPER LANDING	LEFT SWING DOOR	11"	9-3/4"
36"	UPPER LANDING	RIGHT SWING DOOR	9-3/4"	11"
46"	LOWER LANDING	LEFT SWING DOOR	9"	7-3/4"
46"	LOWER LANDING	RIGHT SWING DOOR	7-3/4"	9"
46"	UPPER LANDING	LEFT SWING DOOR	9"	7-3/4"
46"	UPPER LANDING	RIGHT SWING DOOR	7-3/4"	9"